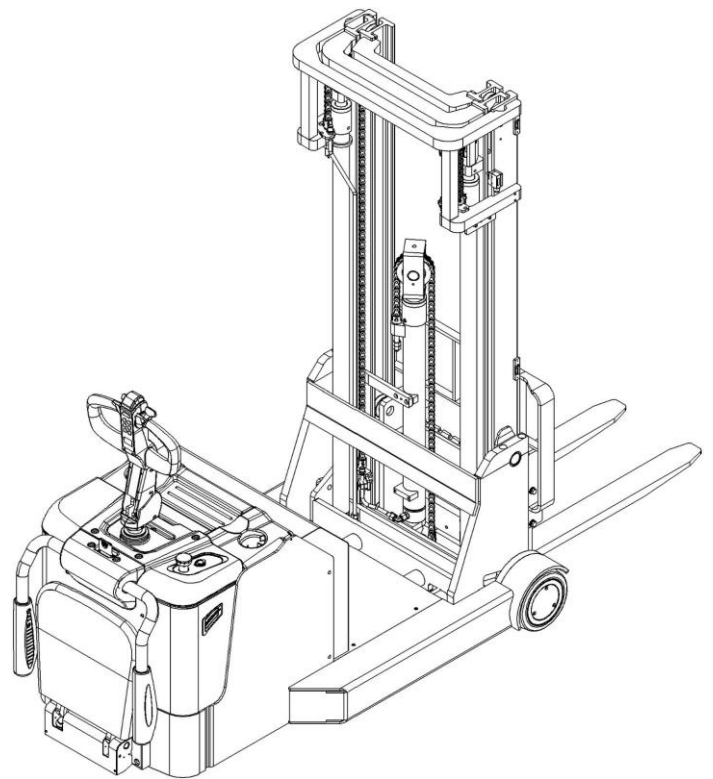


**Electric Stacker PS12/15CB-C**

**PARTS MANUAL**

204246020101



Version V01

Truck Identification Number From:

Parts Manual

PS12/15CB-C-PM01EN

Please order parts from authorized dealers of Noblelift Intelligent Equipment Co., LTD.

In order to avoid wrong delivery, all the orders for spare parts should specify the following items:

- Truck model, identification number and manufacture year.
- Orders for spare parts of mast, hydraulic transmission unit, steering axle, motor, etc. shall indicate the manufacture number of these parts.
- Codes for Noblelift spare parts are shown in the table of parts manual. Please also pay attention to the description of supply status, order quantity, etc. (check the number listed in "Mark" column of the parts manual).

"Mark" Column:

The unmarked indicates the parts are in short supply cycle.

Number 1: supply as package. Indicating these that parts are small parts and seal parts, which are supplied in package unit and in short supply cycle.

Number 2: supply with constraints. Indicating that these spare parts are not in stock and will be prepared for production after receiving the order from customers, which are in long supply cycle.

Number 3: phasing-out supply. Indicating that these parts will be replaced by new parts due to technical improvements and the current stock will not be available when these parts run out. Please check the description of technical improvements notice.

Number 4: supply as assembly. Indicating that these parts are assembly parts defined by manufacture process, which cannot be supplied as a single part.

Number 5: check other tables.

This parts manual is the property of Noblelift and can be shared under the confidential agreement only, Noblelift has the right to claim for compensation of any unauthorized use. Copy without permission is not allowed. Figures in the manual are not limited by the original design. Noblelift Intelligent Equipment Co., LTD reserves the right to improve the products for continuous technology progress.

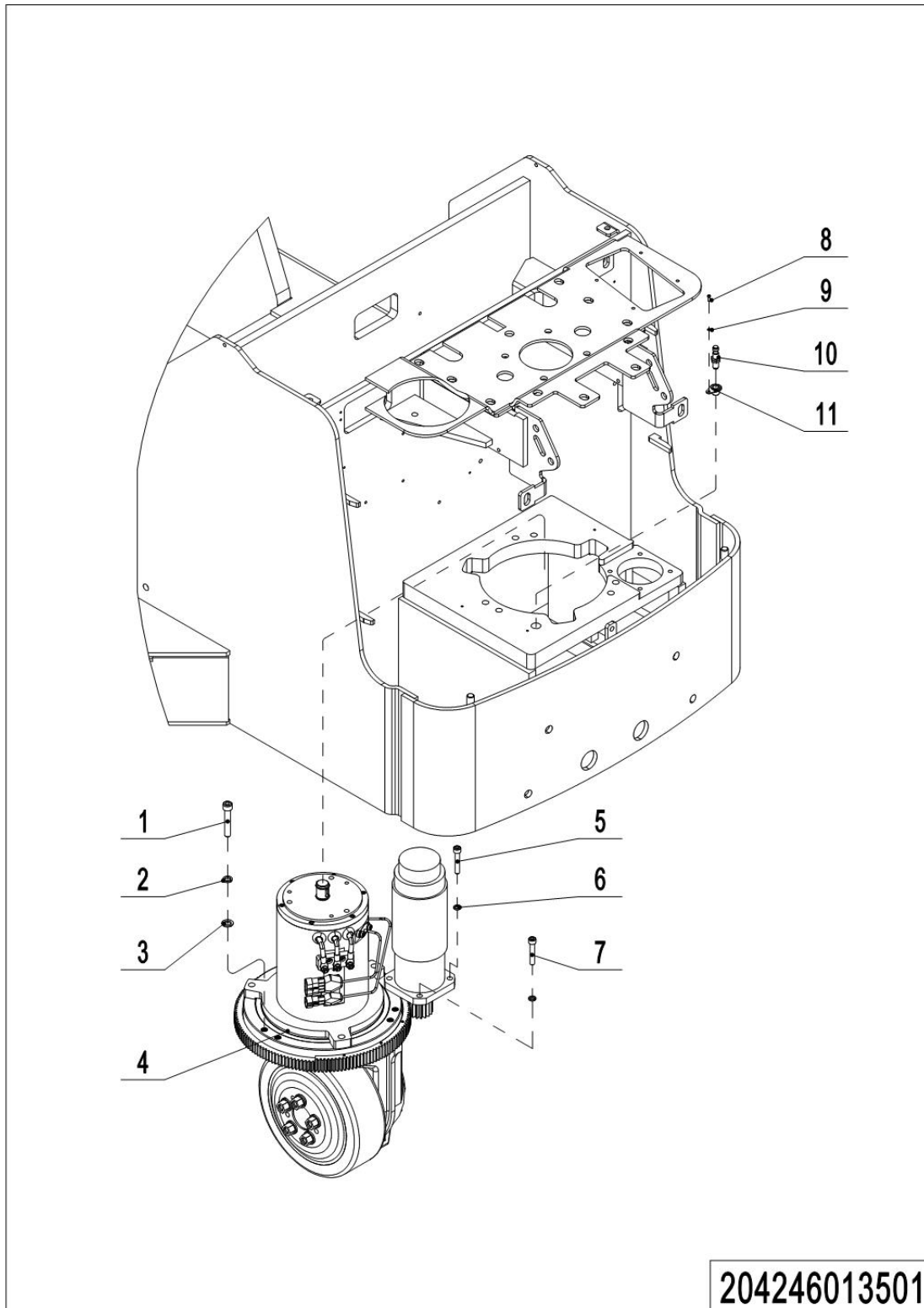
# Table of Contents

Chapter 1: Drive System.....	5
01 Drive Assembly (204246013501).....	5
02 Drive Unit (505646013008).....	7
02 Drive Unit (505646013008) Continue .....	9
Chapter 2: Hydraulic System.....	11
01 Hydraulic Components (without tilt) (204246024001).....	11
02 Hydraulic Components (with tilt) (204246024002).....	13
02 Hydraulic Components (with tilt) (204246024002) Continue .....	15
03 Hydraulic Unit (2.2KW,2.0cc) (532646023503) .....	17
04 Hydraulic Unit (3.0KW,3.3cc) (532646023502) .....	19
Chapter 3: Truck Frame .....	21
01 Fork Carriage (204446038001).....	21
02 Chassis (204246021501).....	23
02 Chassis (204246021501) Continue .....	25
03 Cell Cover Assembly (532646021001).....	27
Chapter 4: Mast System.....	29
01 Single Mast (204246043001).....	29
01 Single mast (204246043001) Continue.....	31
02 Two-stage Mast standard lift (204246044001) .....	33
02 Two-stage Mast standard lift (204246044001) Continue.....	35
03 Triple Mast Full Free Lift (204246044501).....	37
03 Triple Mast Full Free Lift (204246044501) Continue 1 .....	39
03 Triple Mast Full Free Lift (204246044501) Continue 2 .....	41
Chapter 5: Steering System, Braking System, Wheels .....	43
01 Tiller Unit (204246011001) .....	43
02 Control Handle (204246011002) .....	45
03 Electronic power steering unit (204246031501).....	47
04 Load Wheel (202046017001) .....	49
Chapter 6: Electrical Parts .....	51
01 Wire Harness (204246033001) .....	51
02 Electronic Components (204246033002) .....	53
03 Traction Battery (204246037001).....	55
04 Display Assembly (204246010001).....	57
05 Charger (204246036501) .....	59
05 Charger (204246036501) Continue .....	61
Chapter 7: Special Parts.....	63
01 Load Backrest (216546040501).....	63
02 Protective Arm (505646017501).....	65
03 Platform Assembly (204246018001) .....	67
03 Platform Assembly (204246018001) Continue.....	69
Chapter 8: Others.....	71
01 Label and Decal (204246047001).....	71

02 Label and Decal (US) (204246047002).....	73
Appendix.....	75
01 Electrical Circuit Diagram .....	75
02 Hydraulic Circuit Diagram (without tilt) .....	76
03 Hydraulic Circuit Diagram (with tilt) .....	77
04 Consumable Parts List .....	78

## Chapter 1: Drive System

### 01 Drive Assembly (204246013501)

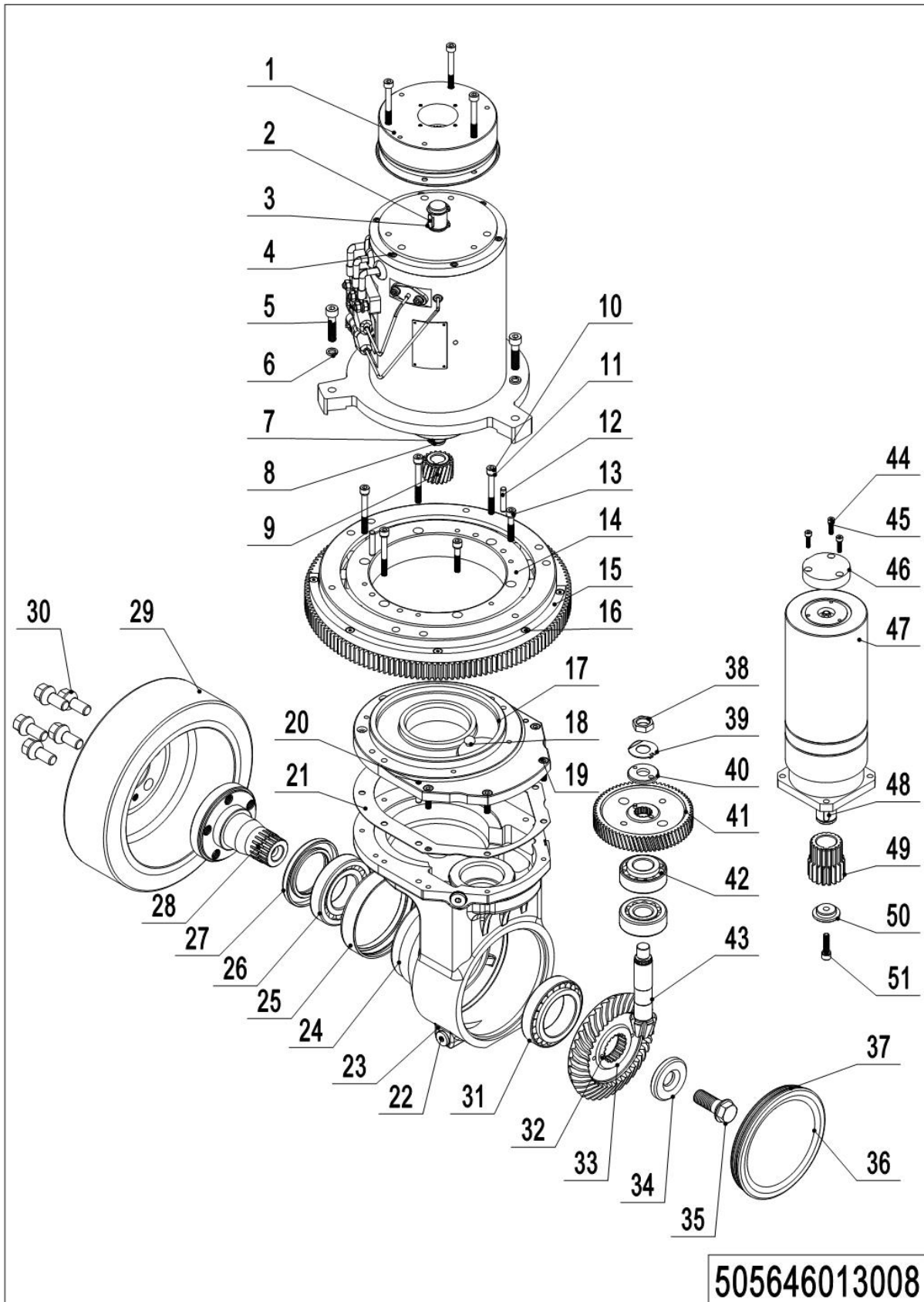


1= Supply as package. 2= Supply with constraints. 3= Phasing-out supply. 4= Supply as assembly. 5= Check other tables.

## 01 Drive Assembly (204246013501)

No.	Item Code	Mark	Item Description	Qty.	Substitute	Note
1	910200200081	1	Screw	6		
2	910400500007	1	Spring Washer	6		
3	910400100007	1	Flat Washer	6		
4	940900500016	2	Drive Unit	1		Check 505646013008
5	910200200038	1	Screw	1		
6	910400500005	1	Spring Washer	4		
7	910200200039	1	Screw	3		
8	910200200013	1	Screw	1		
9	910400500003	1	Spring Washer	1		
10	204333010019	2	Proximity Switch	1		
11	533213510005	2	Bushing	1		

## 02 Drive Unit (505646013008)

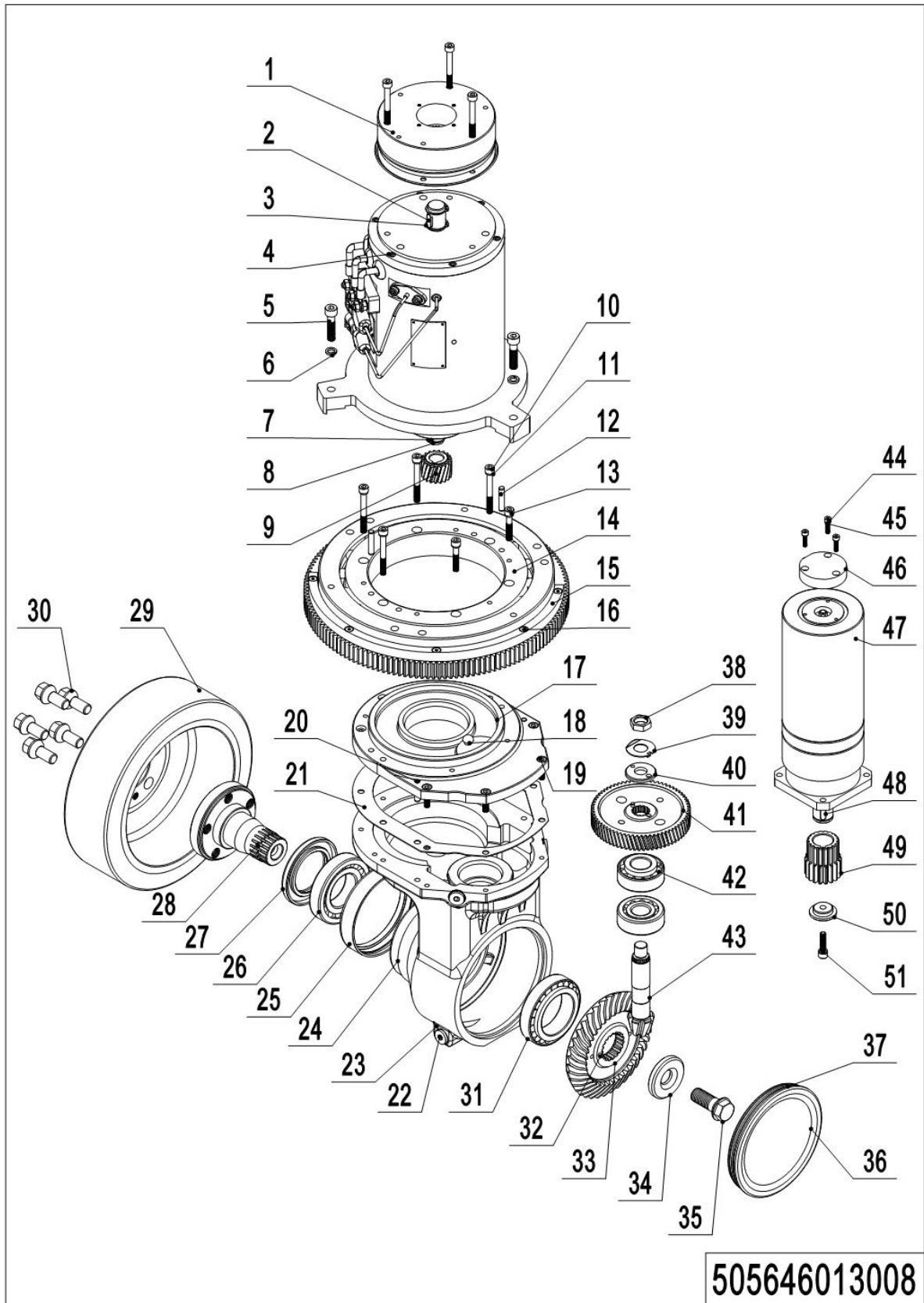


## 02 Drive Unit(505646013008)

No.	Item Code	Mark	Item Description	Qty.	Substitute	Note
1	961000400001	2	Brake	1		
2	910600800012	1	Flat Key	1		
3	910401300011	1	Circlip	2		
4	961000500001	2	Motor	1		
5	910200200144	1	Screw	3		
6	910400500019	1	Spring Washer	3		
7	910600800007	1	Flat Key	1		
8	910401300007	1	Circlip	1		
9	961000400005	2	Gear	1		
10	910200200049	1	Screw	4		
11	910400500018	1	Spring Washer	14		
12	910600100016	1	Cylindrical Pin	2		
13	910200200141	1	Screw	2		
14	961000500002	2	Gear	1		
15	961000500004	2	Induction Block	1		
16	910200400041	1	Screw	5		
17	961000400007	2	Cover	1		
18	940998510011	2	Screw Plug	1		
19	910200200139	1	Screw	7		
20	910600100039	1	Cylindrical Pin	2		
21	940998520025	2	Pad	1		
22	940998520042	2	Screw Plug	3		
23	910800900007	2	Bonded Washer	3		
24	961000400008	2	Gearbox	1		
25	940998520030	2	Dust Cover	1		
26	910700600040	2	Bearing	1		
27	940998520040	2	Oil Seal	1		
28	940998520026	2	Drive Shaft	1		
29	961000300001	2	WheelΦ230x75	1		



02 Drive Unit (505646013008) Continue



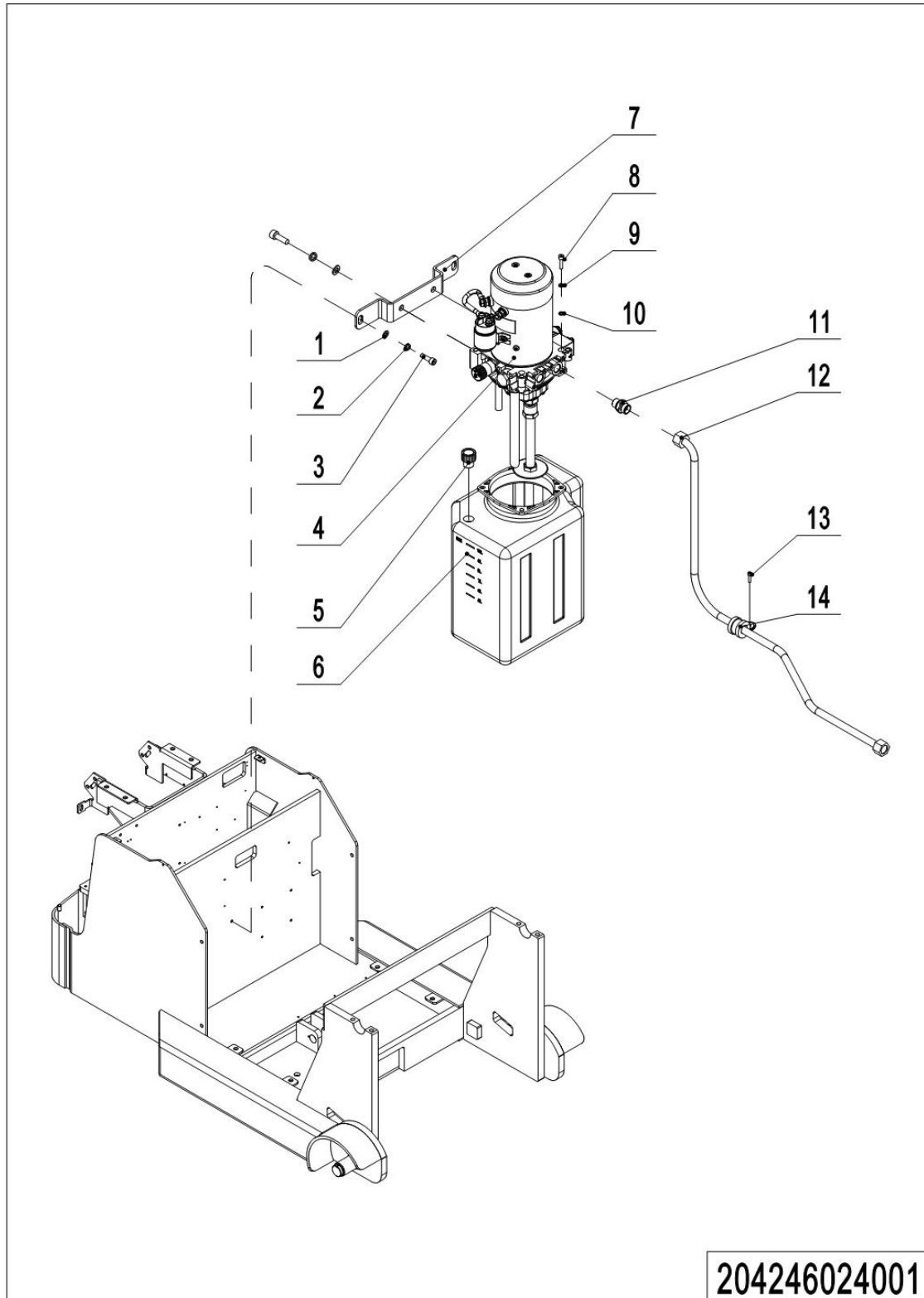
1= Supply as package. 2= Supply with constraints. 3= Phasing-out supply. 4= Supply as assembly. 5= Check other tables.

## 02 Drive Unit (505646013008) Continue

No.	Item Code	Mark	Item Description	Qty.	Substitute	Note
30	940998520029	2	Screw	5		
31	910700600041	1	Bearing	1		
32	910600100038	1	Cylindrical Pin	2		
33	940998520017	2	Gear	1		
34	940998520027	1	Circlip	1		
35	940998520028	2	Lock Bolt	1		
36	940998520018	2	Side Cap	1		
37	910800100095	2	O-Ring	2		
38	910300400014	1	Nut	1		
39	910401000005	1	Lock Washer	1		
40	940998520036	2	Washer	1		
41	961000400006	2	Gear	1		
42	910700600042	1	Bearing	2		
43	940998520019	2	Gear	1		
44	910200200011	1	Screw	3		
45	910400500016	1	Spring Washer	3		
46	961000500007	2	Sensor	1		
47	961000500006	2	Steering Unit	1		
48	910600800015	1	Flat Key	1		
49	961000500003	2	Gear	1		
50	961000500005	1	Retaining Ring	1		
51	910200200140	1	Screw	1		

## Chapter 2: Hydraulic System

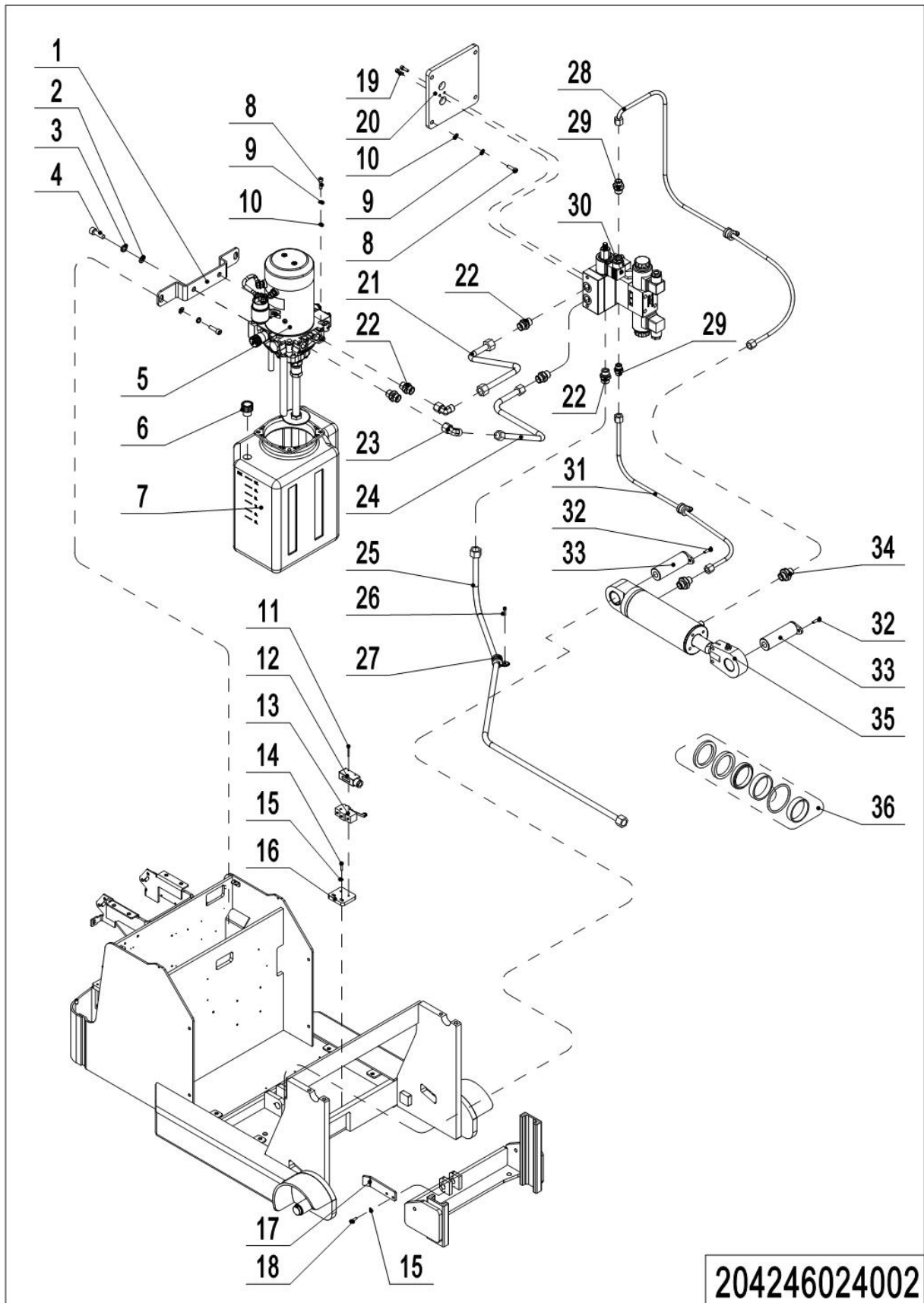
### 01 Hydraulic Components (without tilt) (204246024001)



## 01 Hydraulic Components (without tilt) (204246024001)

No.	Item Code	Mark	Item Description	Qty.	Substitute	Note
1	910400100007	1	Flat Washer	4		
2	910400500007	1	Spring Washer	4		
3	910200200075	1	Screw	4		
4	950900100070	2	Pump Unit	1		PS12CB-C
4	950900100064	2	Pump Unit	1		PS15CB-C
5	951100200004	2	Screw Plug	1		
6	532619020006	2	Tank	1		
7	204224020000	2	Mounting Plate	1		
8	910200200057	1	Screw	8		
9	910400500006	1	Spring Washer	8		
10	910400100006	1	Flat Washer	8		
11	950400300009	2	Joint	1		
12	204224020001	2	Hose	1		
13	910200200032	1	Screw	1		
14	951000100001	2	Hose Clamp	1		

**02 Hydraulic Components (with tilt) (204246024002)**



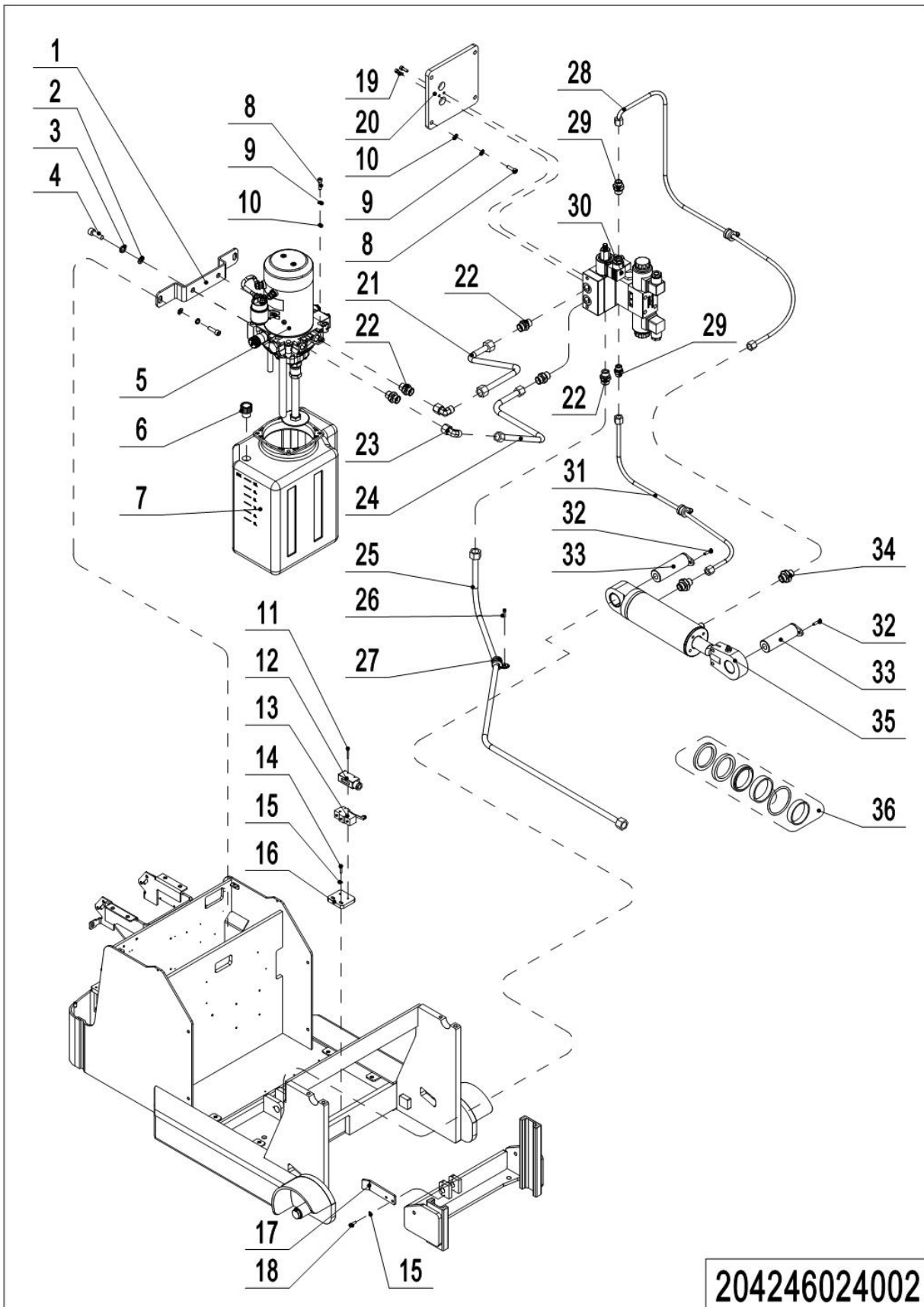
**204246024002**

1= Supply as package. 2= Supply with constraints. 3= Phasing-out supply. 4= Supply as assembly. 5= Check other tables.

## 02 Hydraulic Components (with tilt) (204246024002)

No.	Item Code	Mark	Item Description	Qty.	Substitute	Note
1	204224020000	2	Mounting Plate	1		
2	910400100007	1	Flat Washer	4		
3	910400500007	1	Spring Washer	4		
4	910200200075	1	Screw	4		
5	950900100070	2	Pump Unit	1		PS12CB-C
5	950900100064	2	Pump Unit	1		PS15CB-C
6	951100200004	2	Screw Plug	1		
7	532619020006	2	Tank	1		
8	910200200057	1	Screw	8		
9	910400500006	1	Spring Washer	8		
10	910400100006	1	Flat Washer	8		
11	910200400006	1	Screw	2		
12	920200300008	2	Protective Cover	1		
13	920200300003	2	Microswitch	1		
14	910200200016	1	Screw	2		
15	910400100003	1	Flat Washer	4		
16	204424020002	2	Mounting Plate	1		
17	204424020003	2	Stop Plate	1		
18	910200200015	1	Screw	2		
19	910200200024	1	Screw	2		
20	204424020001	2	Mounting Plate	1		
21	204324520000	2	Steel Tube	1		
22	950400300009	2	Joint	5		
23	950400200004	2	Joint	2		
24	204324520001	2	Steel Tube	1		
25	204324520002	2	Hose	1		
26	910200200032	1	Screw	3		
27	951000100001	2	Hose Clamp	3		
28	204424010007	2	Hose	1		PS12CB-C
28	204424010009	2	Hose	1		PS15CB-C

02 Hydraulic Components (with tilt) (204246024002) Continue



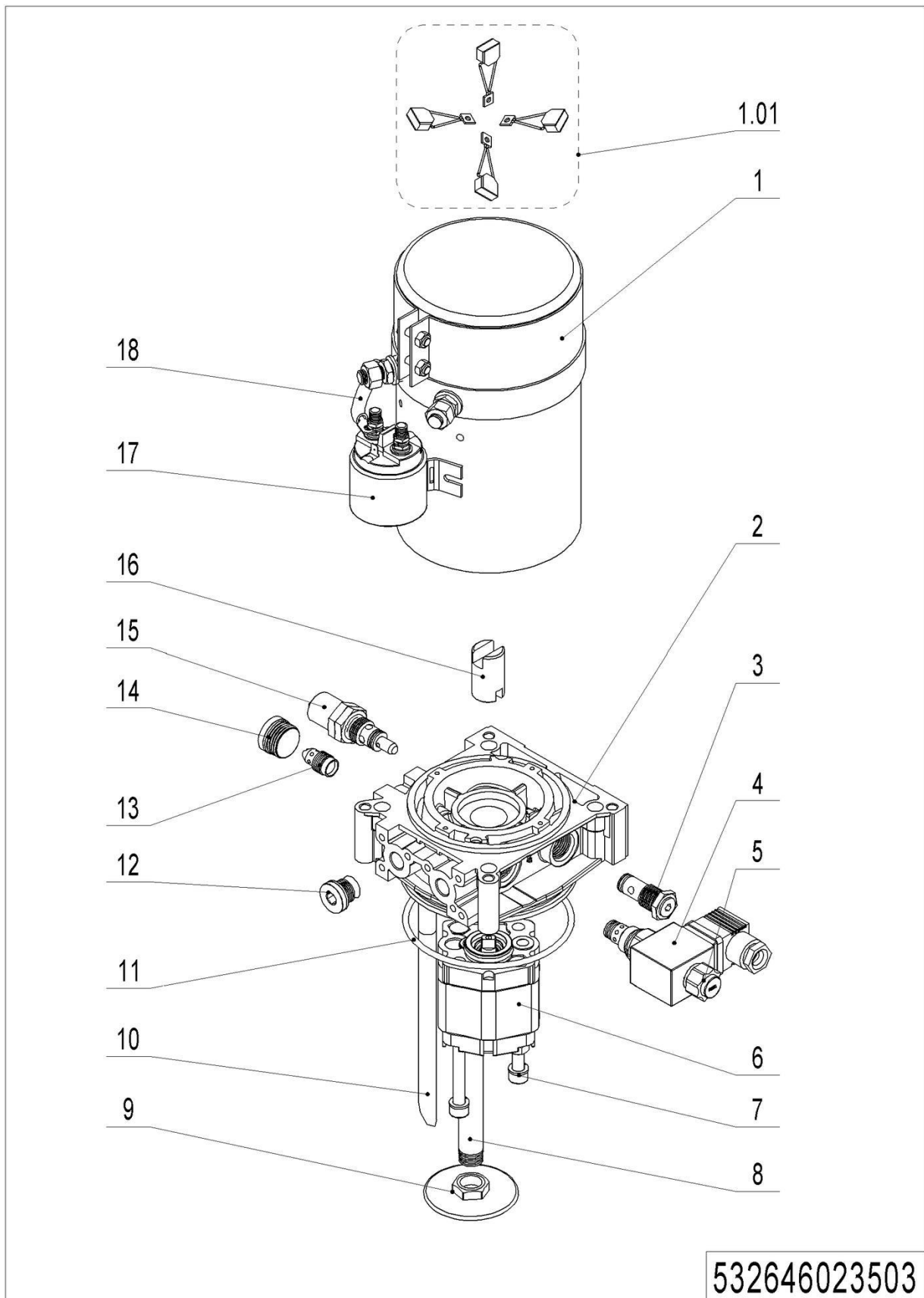
204246024002

1= Supply as package. 2= Supply with constraints. 3= Phasing-out supply. 4= Supply as assembly. 5= Check other tables.

## 02 Hydraulic Components (with tilt) (204246024002) Continue

No.	Item Code	Mark	Item Description	Qty.	Substitute	Note
29	950400300004	2	Joint	2		
30	950600100024	2	Hydraulic Valve	1		
31	204324520003	2	Hose	1		
32	910200400016	1	Screw	2		
33	535045010008	2	Pin	2		
34	950400400001	2	Joint	2		
35	204224510000	2	Cylinder	1		
36	204298510000		Seal Kit	1		



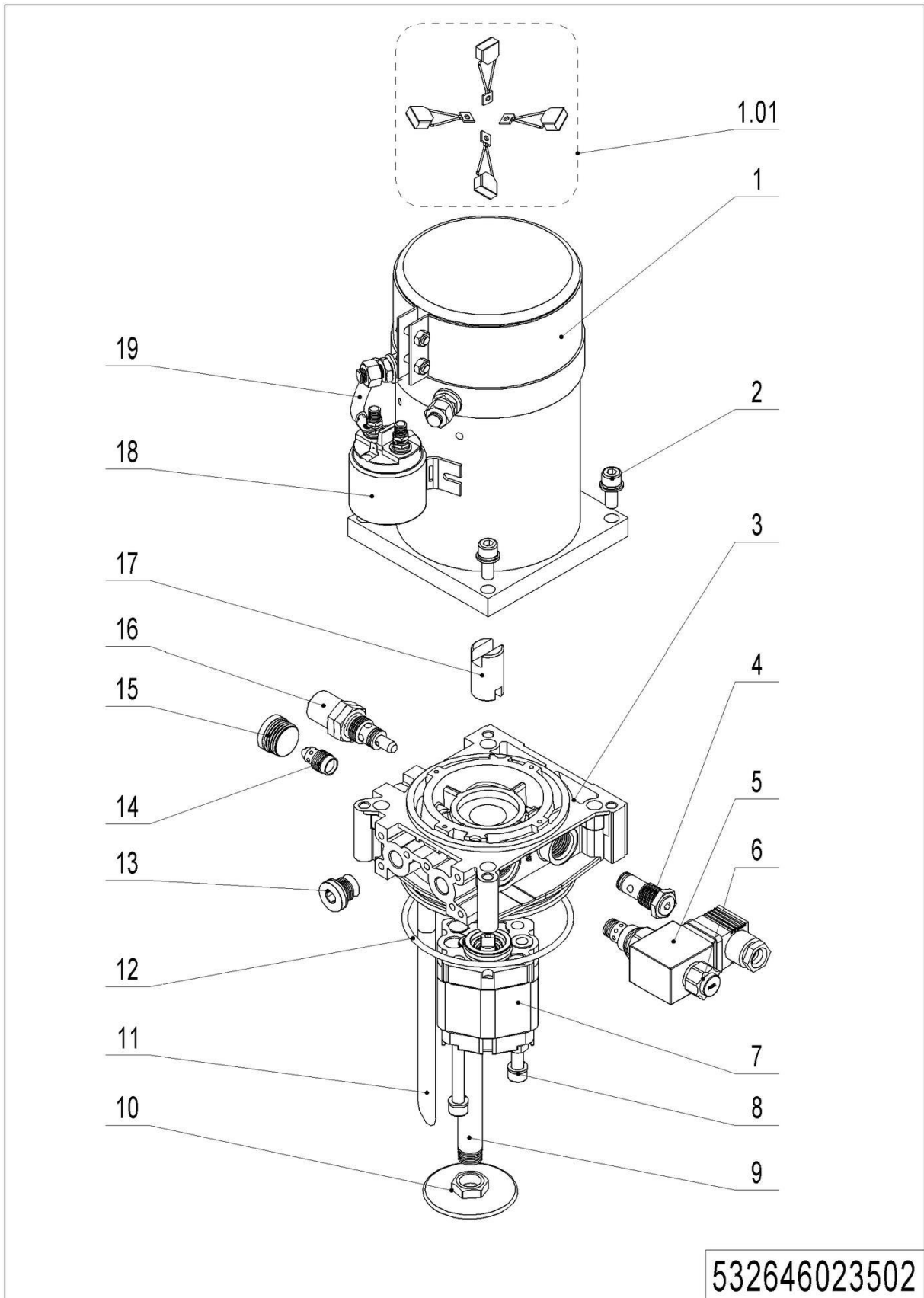
**03 Hydraulic Unit (2.2KW,2.0cc) (532646023503)**

532646023503

## 03 Hydraulic Unit (2.2KW,2.0cc) (532646023503)

No.	Item Code	Mark	Item Description	Qty.	Substitute	Note
--	950900100070	2	Pump Unit	1		
1	532698510024	2	Motor	1		
1.01	532698510030		Carbon Brush	1		
2	532698520065	2	Valve Block	1		
3	532698510016	2	Check Valve	1		
4	532698510014	2	Coil	1		
5	532698510015	2	Magnetic Valve	1		
6	532698510026	2	Gear Unit	1		
7	532698520057	2	Screw	2		
8	532698520058	2	Oil Tube	1		
9	532698520059	2	Filter	1		
10	532698520060	2	Pipe	1		
11	532698520056	2	O-Ring	1		
12	532698520062	2	End Cap	1		
13	532698510027	2	Valve	1		
14	532698520061	2	End Cap	1		
15	532698510018	2	Overflow Valve	1		
16	532698520067	2	Coupling	1		
17	532698510020	2	Switch	1		
18	532698510025	2	Cables	1		

**04 Hydraulic Unit (3.0KW,3.3cc) (532646023502)**



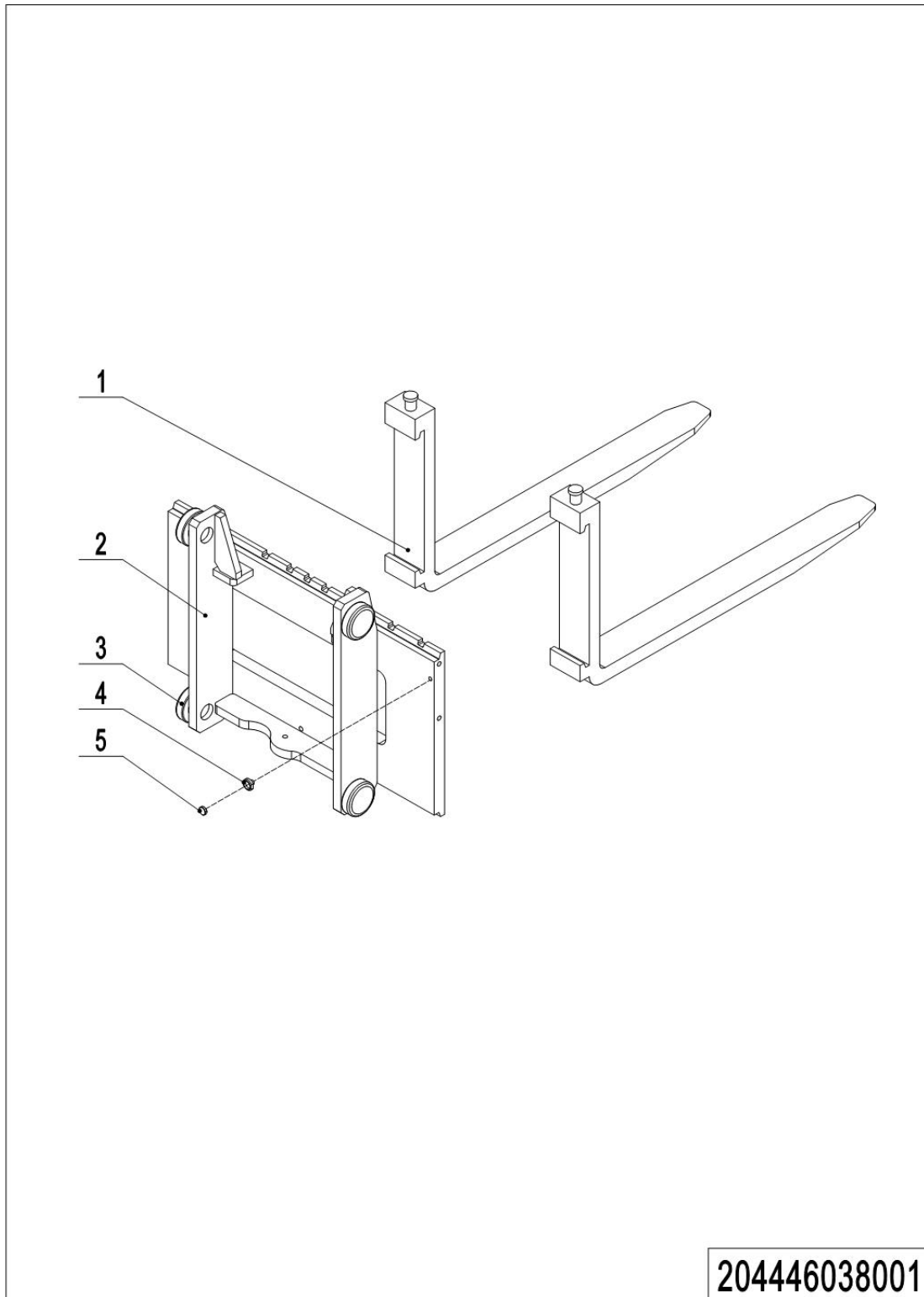
1= Supply as package. 2= Supply with constraints. 3= Phasing-out supply. 4= Supply as assembly. 5= Check other tables.

## 04 Hydraulic Unit (3.0KW,3.3cc) (532646023502)

No.	Item Code	Mark	Item Description	Qty.	Substitute	Note
--	950900100064	2	Pump Unit	1		
1	532698510013	2	Motor	1		
1.01	532698510029		Carbon Brush	1		
2	532698520053	2	Screw	4		
3	532698520055	2	Valve Block	1		
4	532698510016	2	Check Valve	1		
5	532698510014	2	Coil	1		
6	532698510015	2	Magnetic Valve	1		
7	532698510022	2	Gear Pump	1		
8	532698520066	2	Screw	2		
9	532698520058	2	Oil Tube	1		
10	532698520059	2	Filter	1		
11	532698520060	2	Pipe	1		
12	532698520056	2	O-Ring	1		
13	532698520062	2	End Cap	1		
14	532698510023	2	Valve	1		
15	532698520061	2	End Cap	1		
16	532698510018	2	Overflow Valve	1		
17	532698520054	2	Coupling	1		
18	532698510020	2	Switch	1		
19	532698510021	2	Cables	1		

## Chapter 3: Truck Frame

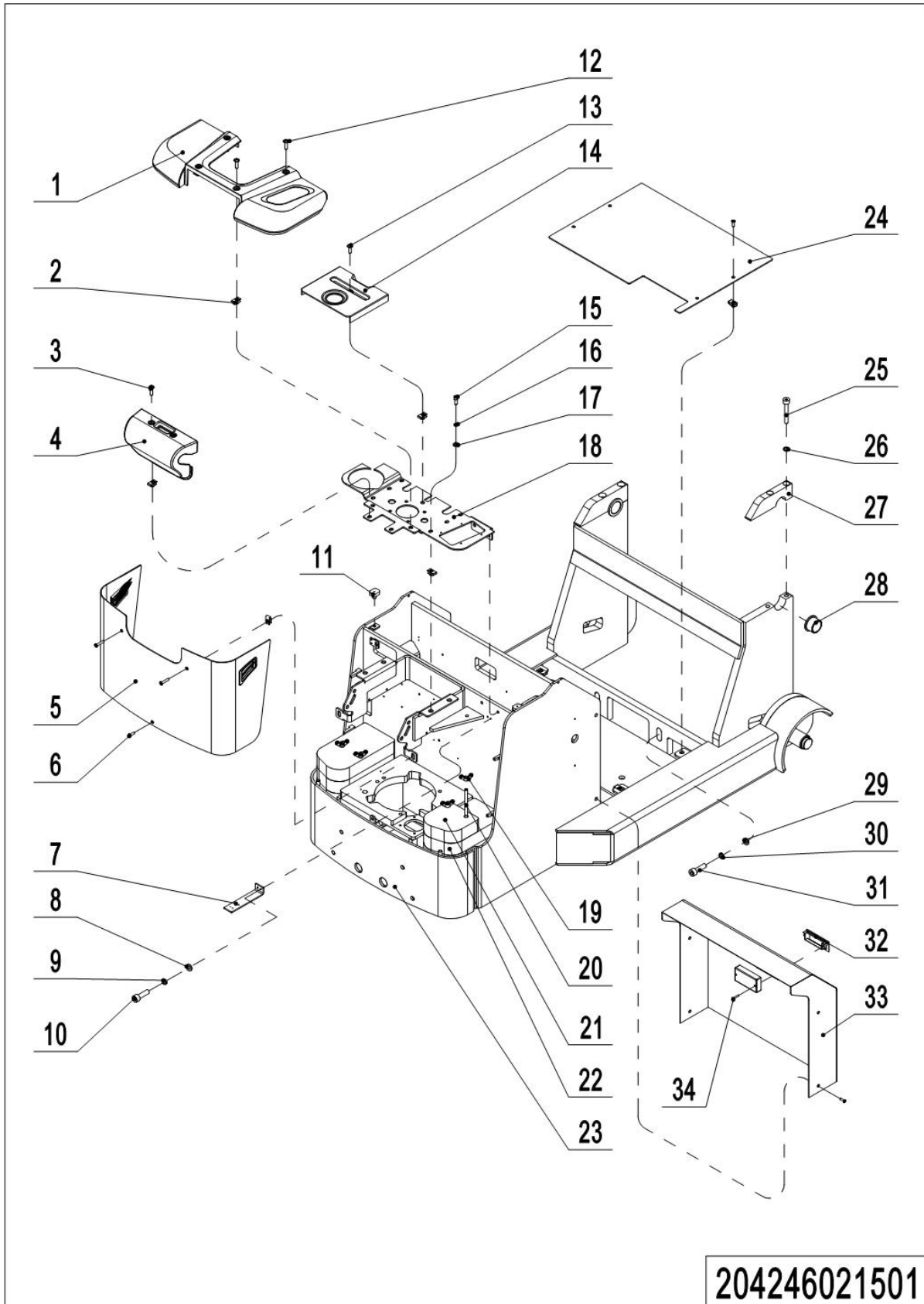
### 01 Fork Carriage (204446038001)



## 01 Fork Carriage (204446038001)

No.	Item Code	Mark	Item Description	Qty.	Substitute	Note
1	940100100001	2	Fork100x35x920	2		
1	940100100002	2	Fork100x35x950	2		
1	940100100003	2	Fork100x35x1070	2		
1	940100100004	2	Fork100x35x1150	2		
1	940100100005	2	Fork100x35x1220	2		
1	940100100006	2	Fork100x35x1370	2		
1	940100100029	2	Fork100x35x1520	2		
2	204438010002	2	Fork	1		Single mast
2	204438010001	2	Fork	1		DX
2	204438010000	2	Fork	1		TX+FFL
3	940200300004		Compound Roller	4		
4	940600200001	2	Mounting Base	1		
5	940600100001	2	Magnetic Steel	1		

## 02 Chassis (204246021501)

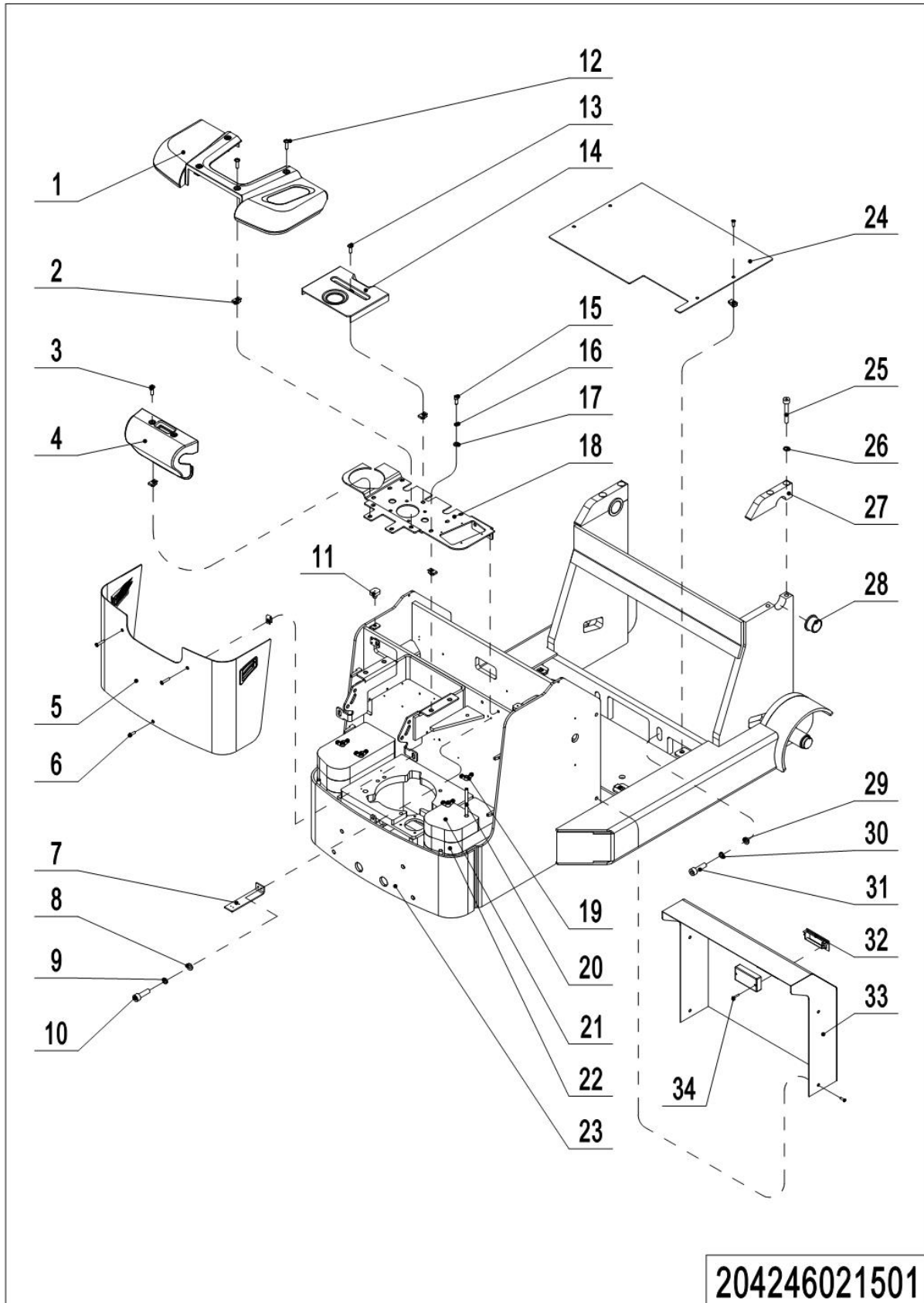


## 02 Chassis (204246021501)

No.	Item Code	Mark	Item Description	Qty.	Substitute	Note
1	505621520024	2	Protective Cover	1		
2	940400400003	2	Cage Nut	14		
3	941100100003	2	Screw	6		
4	505621520025	2	Protective Cover	1		
5	204221510003	2	Apron	1		
6	941100100005	2	Screw	9		
7	204221520024	2	Mounting Plate	1		
8	910400100005	1	Flat Washer	2		
9	910400500005	1	Spring Washer	2		
10	910200200035	1	Screw	2		
11	505938520016	2	Crash Pad	1		
12	941100100002	2	Screw	2		
13	941100100007	2	Screw	1		
14	505621520026	2	Protective Cover	1		
15	910200200077	1	Screw	4		
16	910400500007	1	Spring Washer	4		
17	910400100007	1	Flat Washer	4		
18	532621520025	2	Panel	1		
19	910301500001	2	Nut	4		
20	204221520026	2	Screw	4		
21	204221520029	2	Balance Weight	1		
22	204221520025	2	Balance Weight	11		
23	204221510000	2	Chassis	1		PS12CB-C
23	204221510002	2	Chassis(Tilt)	1		PS12CB-C
23	204321510001	2	Chassis	1		PS15CB-C
23	204321510000	2	Chassis(Tilt)	1		PS15CB-C
24	204221520022	2	Close Plate	1		
25	910200200126	1	Screw	4		
26	910400500010	1	Spring Washer	4		
27	204421520026	2	Press Plate	2		



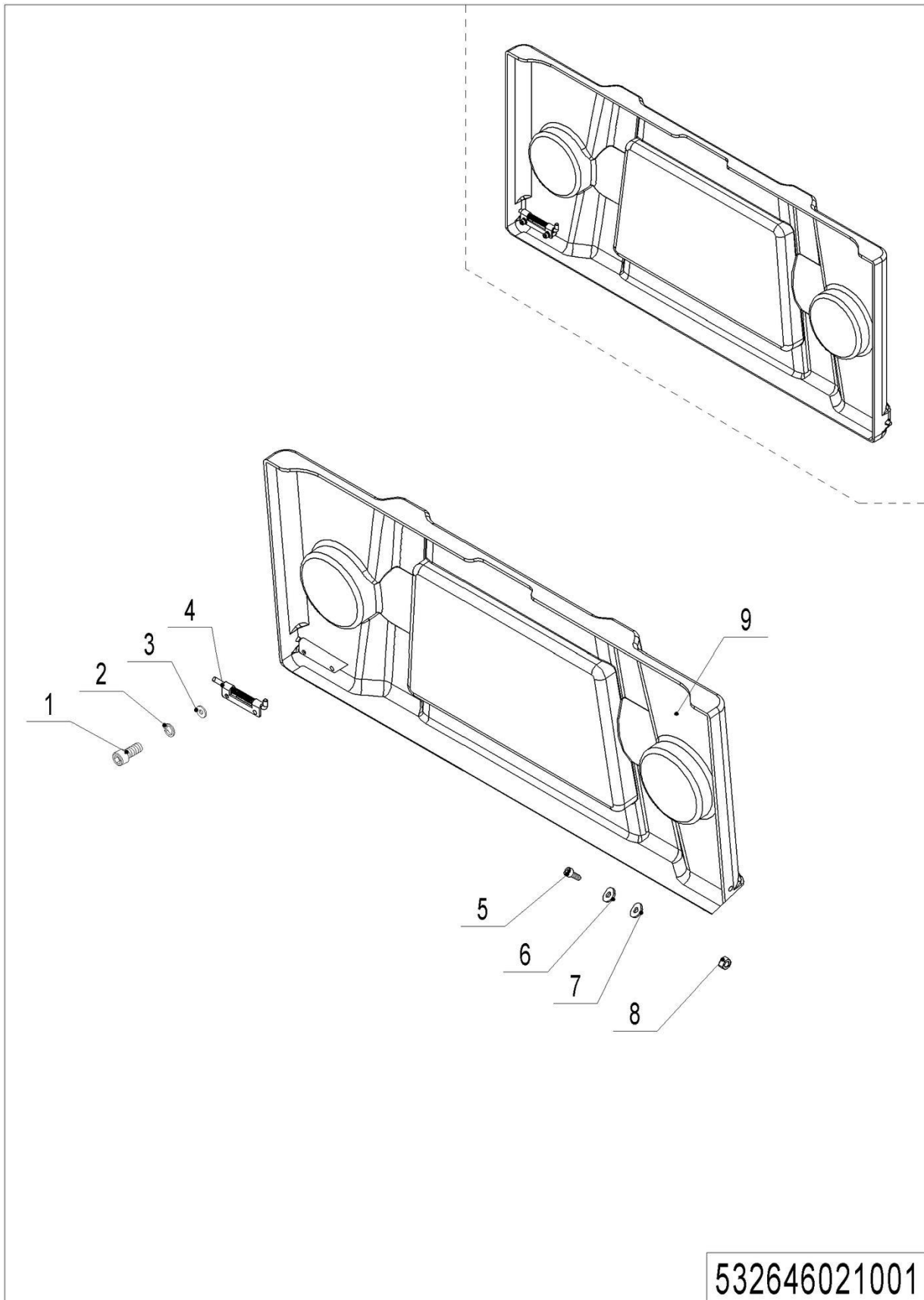
## 02 Chassis (204246021501) Continue



1= Supply as package. 2= Supply with constraints. 3= Phasing-out supply. 4= Supply as assembly. 5= Check other tables.

## 02 Chassis (204246021501) Continue

No.	Item Code	Mark	Item Description	Qty.	Substitute	Note
28	204221520028	2	Sleeve	2		Without tilt
28	940500400001	2	Bearing	1		With tilt
29	910400100012	1	Flat Washer	2		Without tilt
30	910400500012	1	Spring Washer	2		Without tilt
31	910100300083	1	Bolt	2		Without tilt
32	206521510010	2	Handle	1		
33	204221510001	2	Cover	1		
34	910200500015	1	Screw	2		

**03 Cell Cover Assembly (532646021001)**

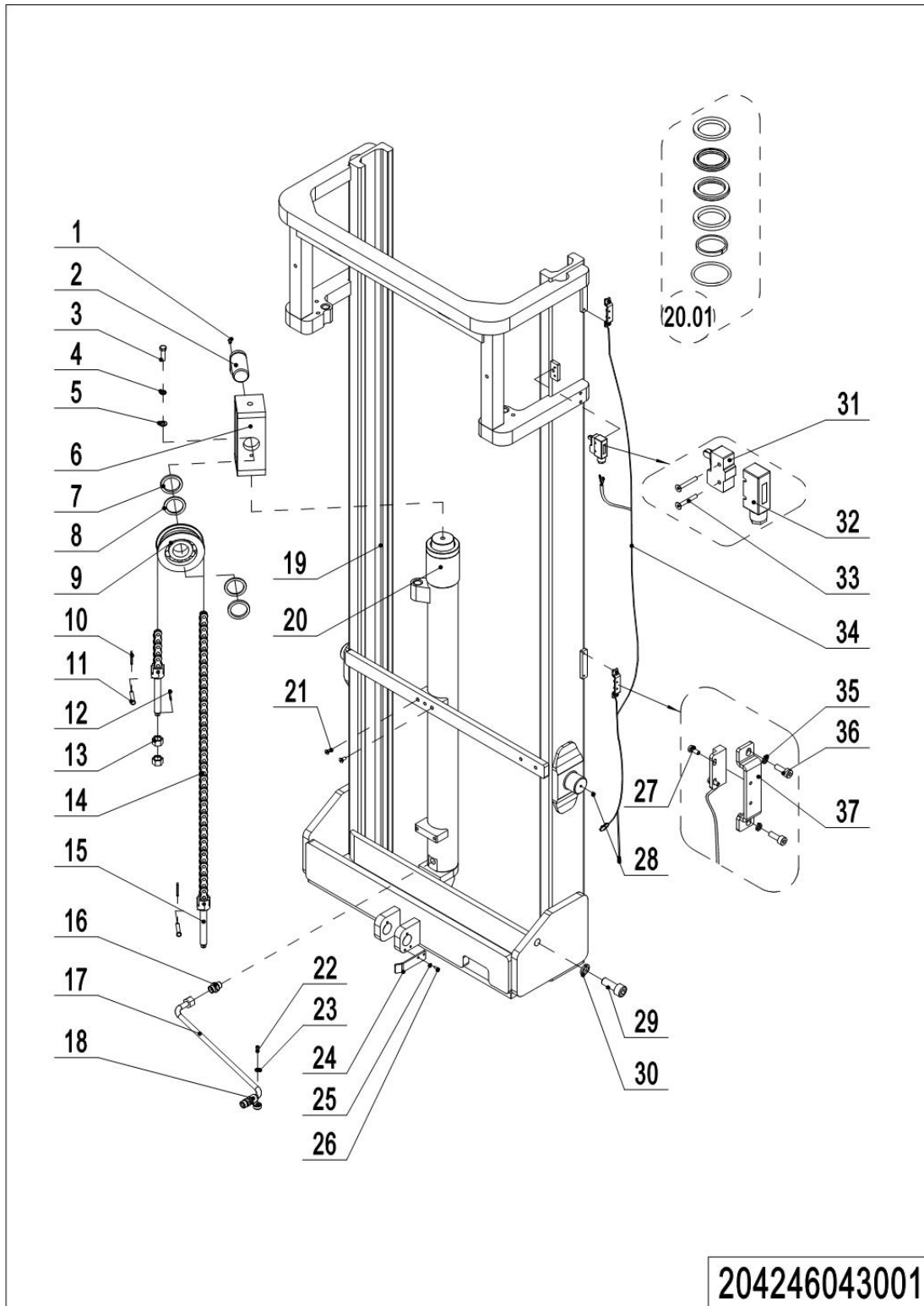
1= Supply as package. 2= Supply with constraints. 3= Phasing-out supply. 4= Supply as assembly. 5= Check other tables.

## 03 Cell Cover Assembly (532646021001)

No.	Item Code	Mark	Item Description	Qty.	Substitute	Note
--	532621010001	2	Cell Cover	1		PS15CB-C
--	532621010002	2	Cell Cover	1		PS12CB-C
1	910200200013	1	Screw	2		
2	910400500003	1	Spring Washer	2		
3	910400100003	1	Flat Washer	2		
4	940800900001	2	Lock Pin	1		
5	910200200024	1	Screw	1		
6	910400500004	1	Spring Washer	1		
7	910400100004	1	Flat Washer	1		
8	910300300002	1	Nut	1		
9	532621020001	2	Cell Cover	1		PS15CB-C
9	532621020002	2	Cell Cover	1		PS12CB-C

## Chapter 4: Mast System

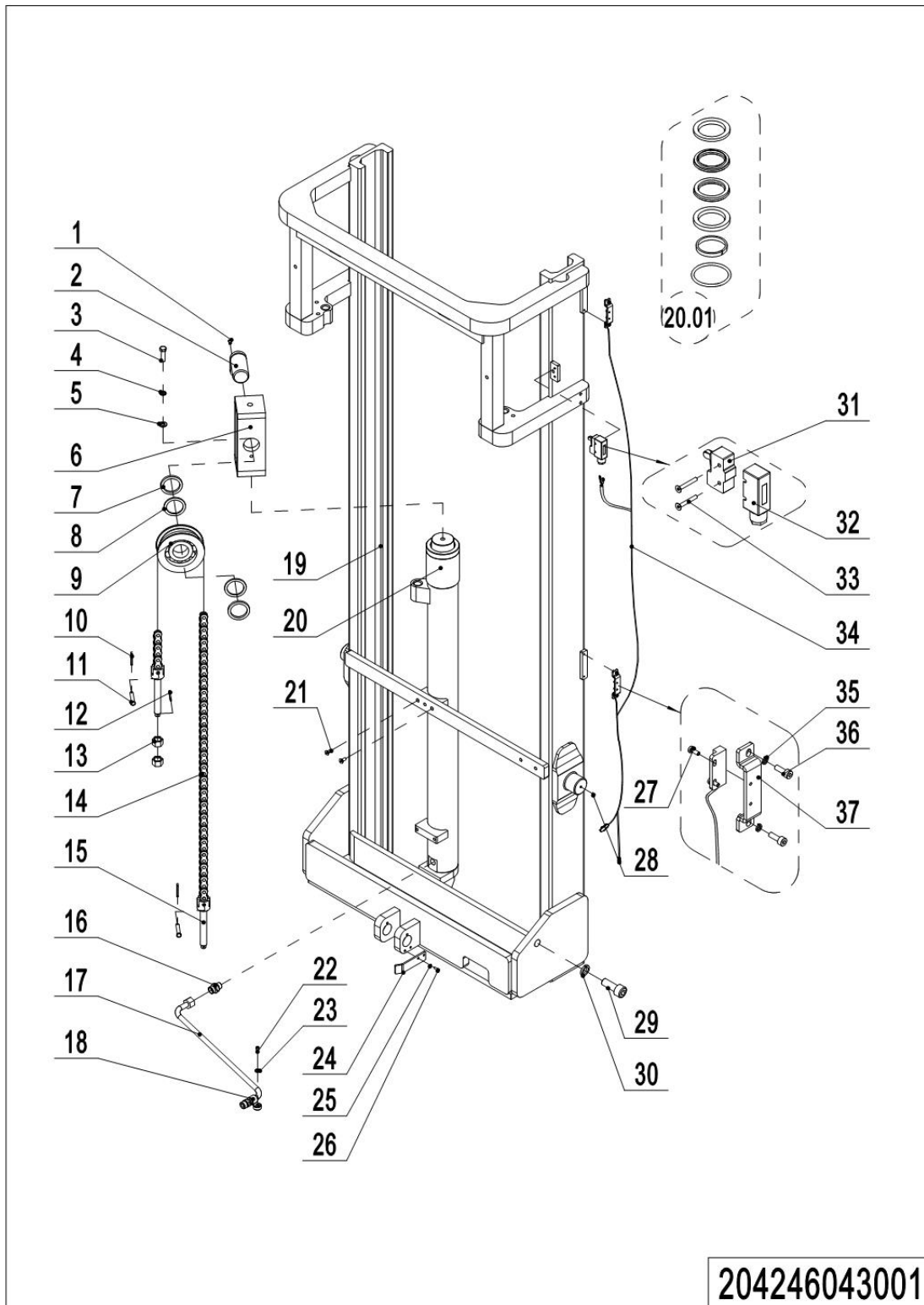
### 01 Single Mast (204246043001)



## 01 Single Mast (204246043001)

No.	Item Code	Mark	Item Description	Qty.	Substitute	Note
1	910200400016	1	Screw	1		
2	535045010008	2	Pin	1		
3	910100300050	1	Bolt	1		
4	910400500008	1	Spring Washer	1		
5	910400100008	1	Flat Washer	1		
6	204444510003	2	Wheel Carrier	1		
7	940600500008	2	Washer	2		
8	940600500009	2	Washer	2		
9	940200500011	2	Sprocket Bearing	1		
10	910600600006	2	Cotter Pin	2		
11	941100800009	2	Pin	2		
12	910600600023	2	Cotter Pin	2		
13	910300200008	1	Nut	4		
14	204444510026	2	Chain	1		
15	535045020024	2	Chain Anchor	2		
16	950400400004	2	Joint	1		
17	204443010001	2	Steel Tube	1		
18	951000100001	2	Hose Clamp	1		
19	204443010000	2	Outer Mast(1600)	1		With tilt
19	204243010000	2	Outer Mast(1600)	1		Without tilt
20	201043010002	2	Cylinder	1		
20.01	201098510006		Seal Kit	1		
21	910200400026	1	Screw	2		
22	910200200032	1	Screw	1		
23	910400100005	1	Flat Washer	1		
24	204424020003	2	Stop Plate	1		
25	910400100003	1	Flat Washer	2		
26	910200200016	1	Screw	2		
27	910200500010	1	Screw	4		
28	911200100001	2	Oil Cup	2		

## 01 Single mast (204246043001) Continue

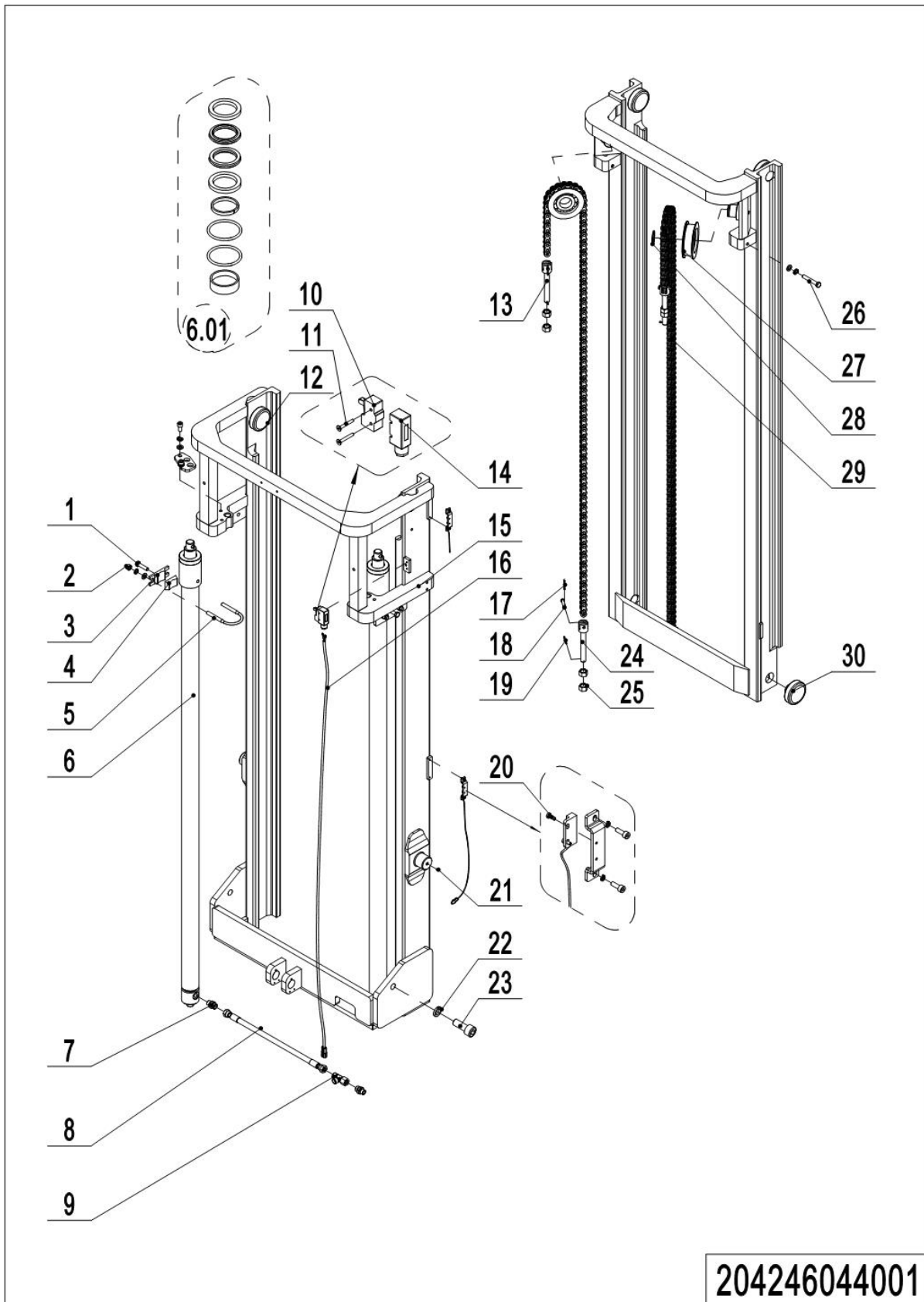


## 01 Single mast (204246043001) Continue

No.	Item Code	Mark	Item Description	Qty.	Substitute	Note
29	910200200129	1	Screw	2		
30	910400500012	1	Spring Washer	2		
31	920200300001	2	Microswitch	1		
32	920200300008	2	Protective Cover	1		
33	910200500028	1	Screw	2		
34	204333010017	2	Wire Harness	1		
35	910400500003	1	Spring Washer	4		
36	910200200014	1	Screw	4		
37	534744520059	2	Protective Cover	2		



## 02 Two-stage Mast standard lift (204246044001)

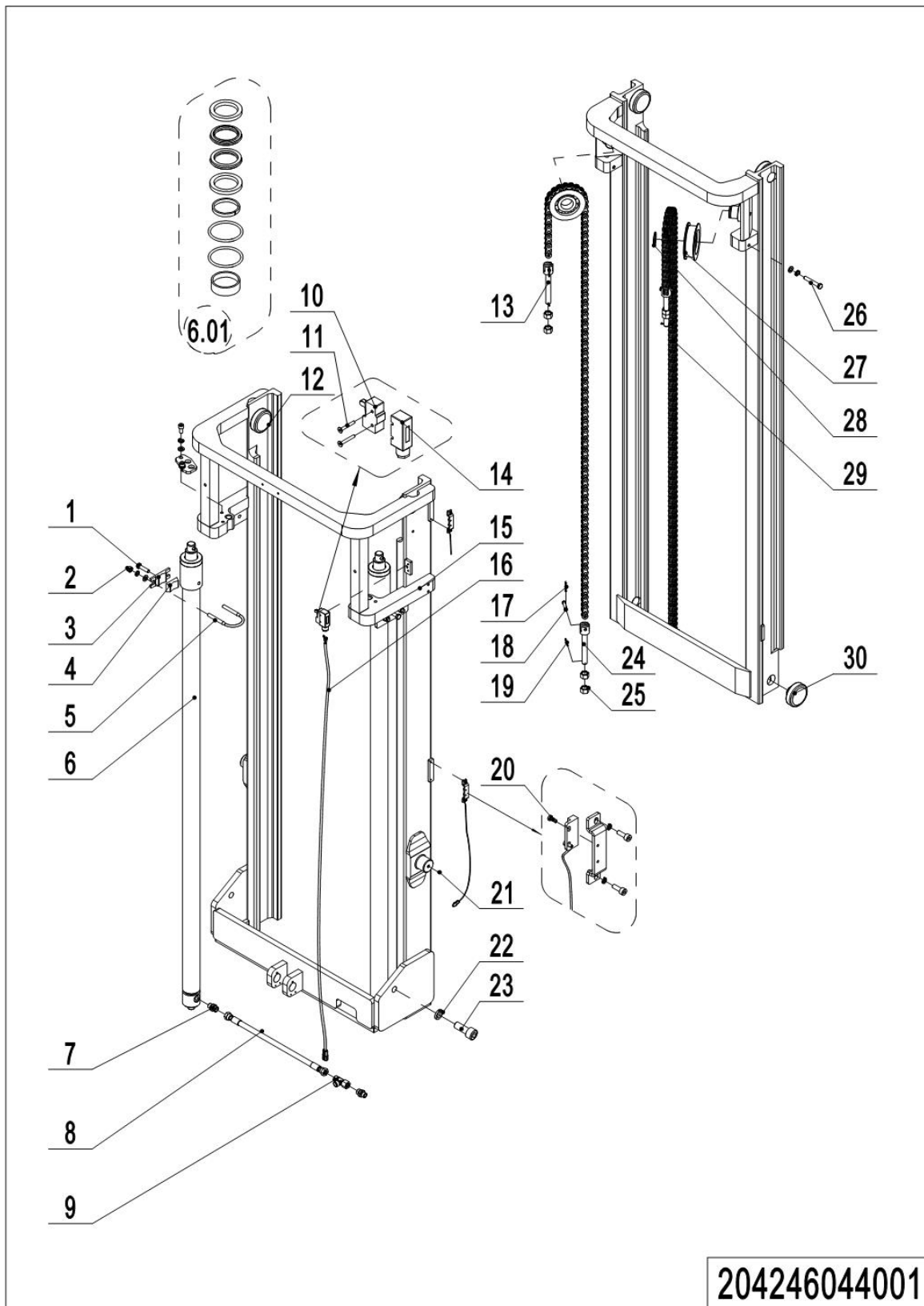


1= Supply as package. 2= Supply with constraints. 3= Phasing-out supply. 4= Supply as assembly. 5= Check other tables.

## 02 Two-stage Mast standard lift (204246044001)

No.	Item Code	Mark	Item Description	Qty.	Substitute	Note
1	910100300039	1	Bolt	2		
2	910300100007	1	Nut	6		
3	255044020130	2	Fixing Base	2		
4	255044020129	2	Protective Cover	1		
5	201044520017	2	Bolt	2		
6	204444010002	2	Cylinder	2		Lift Height 2500
6	201044510008	2	Cylinder	2		Lift Height 3000
6	204444010005	2	Cylinder	2		Lift Height 3200
6	204444010008	2	Cylinder	2		Lift Height 3600
6	204444010011	2	Cylinder	2		Lift Height 4000
6.01	201098510005		Seal Kit	1		
7	950400400004	2	Joint	2		
8	201044020002	2	Hose	1		
9	950401000001	2	Joint	1		
10	920200300001	2	Microswitch	1		
11	910200500028	1	Screw	2		
12	940200300004	2	Compound Roller	2		
13	252044020121	2	Chain Anchor	2		
14	920200300008	2	Protective Cover	1		
15	204444010000	2	Outer Mast(2500)	1		With tilt
15	204244010000	2	Outer Mast(2500)	1		Without tilt
15	204444510000	2	Outer Mast(4500)	1		With tilt
15	204244510000	2	Outer Mast(4500)	1		Without tilt
15	204444010003	2	Outer Mast(3200)	1		With tilt
15	204244010003	2	Outer Mast(3200)	1		Without tilt
15	204444010006	2	Outer Mast(3600)	1		With tilt
15	204244010006	2	Outer Mast(3600)	1		Without tilt
15	204444010009	2	Outer Mast(4000)	1		With tilt
15	204244010009	2	Outer Mast(4000)	1		Without tilt
16	204333010004	2	Wire Harness	1		Ordering with mast height

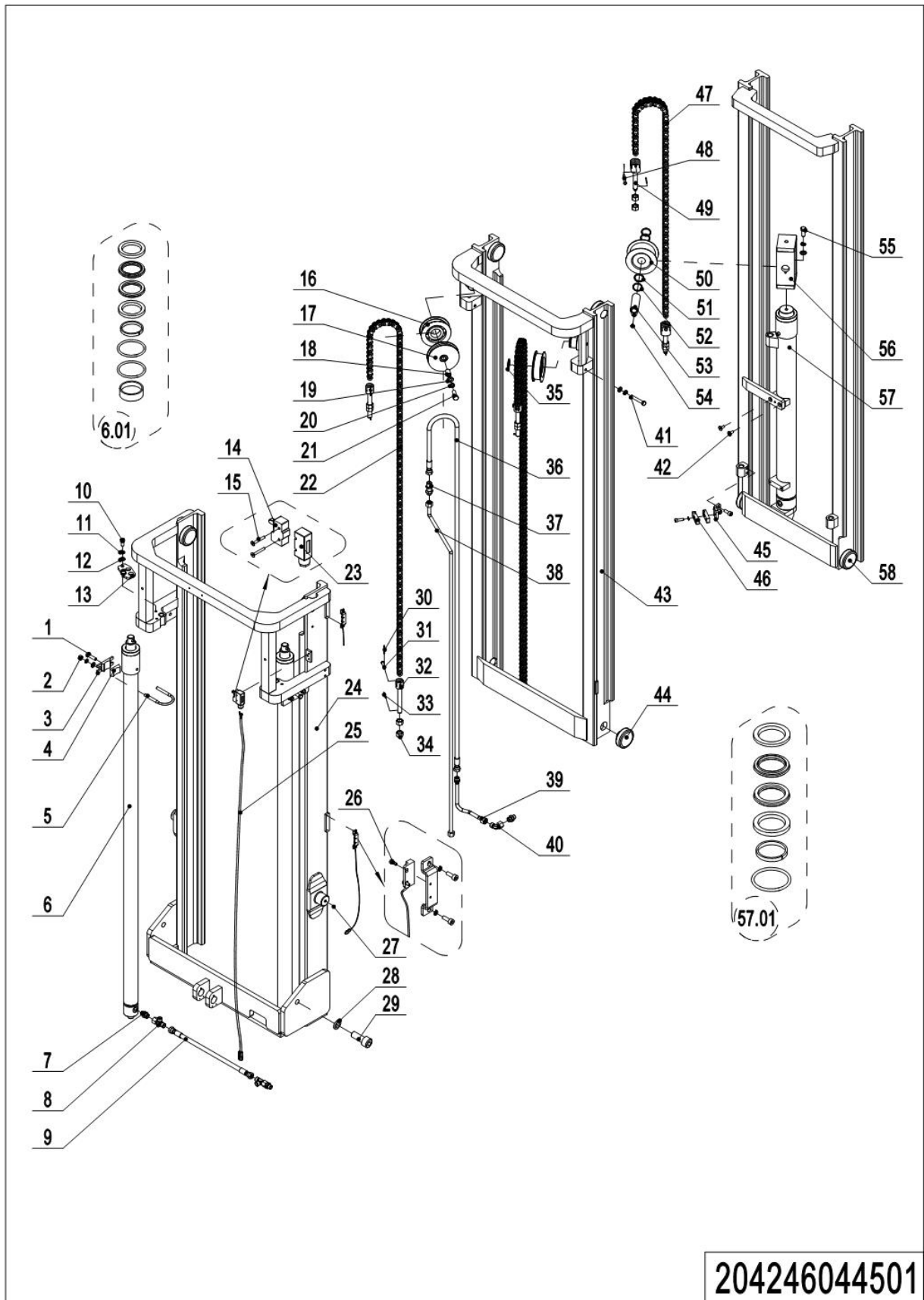
## 02 Two-stage Mast standard lift (204246044001) Continue



## 02 Two-stage Mast standard lift (204246044001) Continue

No.	Item Code	Mark	Item Description	Qty.	Substitute	Note
17	910600600006	2	Cotter Pin	6		
18	941100800008	2	Pin	4		
19	910600600023	2	Cotter Pin	4		
20	910200500010	1	Screw	4		
21	911200100001	2	Oil Cup	2		
22	910400500012	1	Spring Washer	2		
23	910200200129	1	Screw	2		
24	533243520008	2	Chain Anchor	2		
25	910300200008	1	Nut	4		
26	910100300039	1	Bolt	2		
27	940200500007	2	Sprocket Bearing	2		
28	910401300020	1	Circlip	2		
29	204444510019	2	Chain	2		Lift Height2500
29	201044510017	2	Chain	2		Lift Height3000
29	204444010013	2	Chain	2		Lift Height3200
29	204444010012	2	Chain	2		Lift Height3600
29	212044510111	2	Chain	2		Lift Height4000
30	940200300007	2	Compound Roller	2		

## 03 Triple Mast Full Free Lift (204246044501)

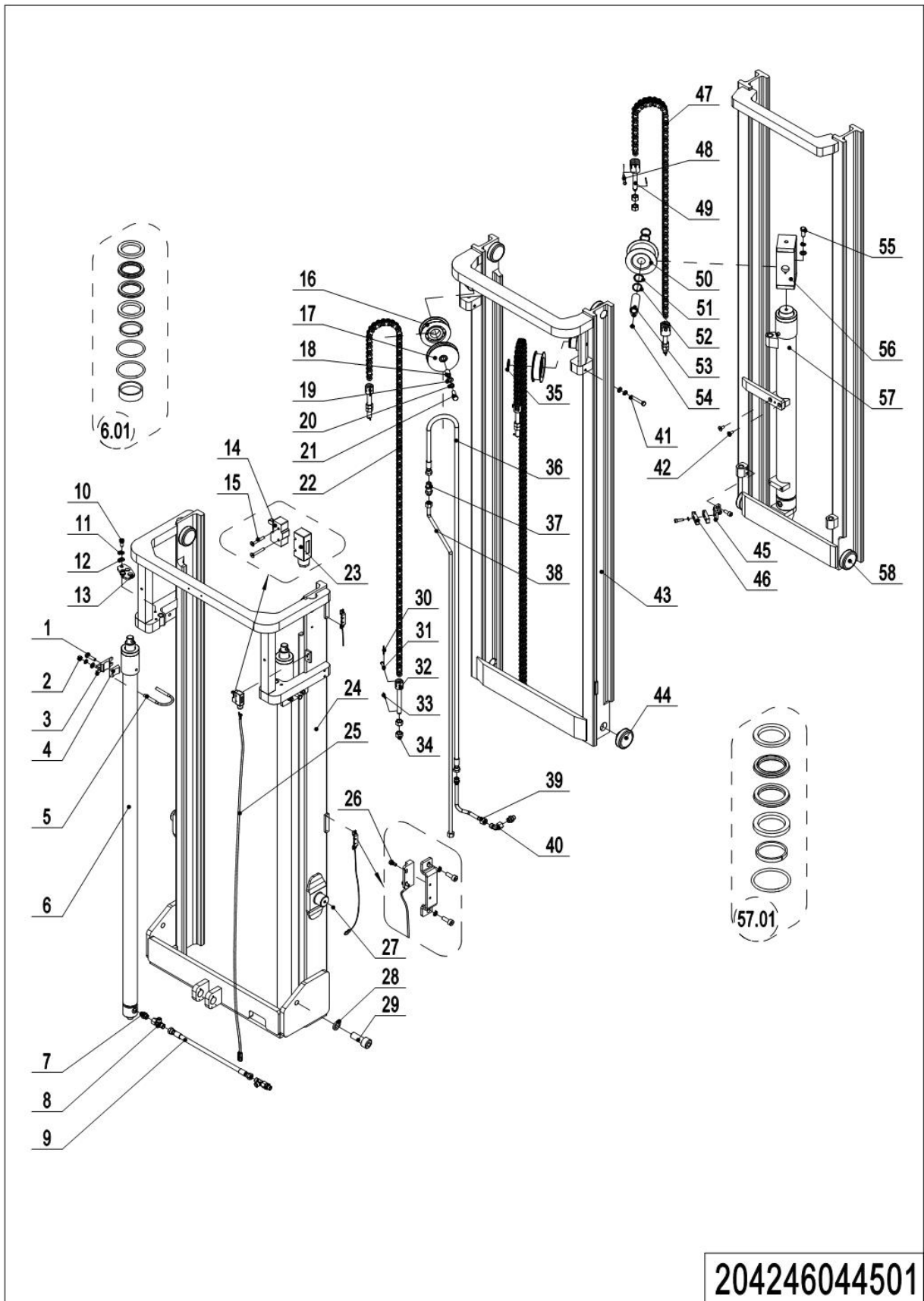


1= Supply as package. 2= Supply with constraints. 3= Phasing-out supply. 4= Supply as assembly. 5= Check other tables.

## 03 Triple Mast Full Free Lift (204246044501)

No.	Item Code	Mark	Item Description	Qty.	Substitute	Note
1	910100300039	1	Bolt	2		
2	910300100007	1	Nut	6		
3	255044020130	2	Fixing Base	2		
4	255044020129	2	Protective Cover	1		
5	201044520017	1	Bolt	2		
6	201044510009	2	Cylinder	2		Lift Height3600
6	204444510013	2	Cylinder	2		Lift Height4000
6	204444510011	2	Cylinder	2		Lift Height4300
6	201044510008	2	Cylinder	2		Lift Height4500
6.01	201098510005		Seal Kit	1		
7	950400400004	2	Joint	3		
8	950401000001	2	Joint	2		
9	201044520086	2	Hose	1		
10	910200200075	1	Screw	4		
11	910400500007	1	Spring Washer	12		
12	910400100007	1	Flat Washer	11		
13	201044520029	2	Mounting Plate	1		
14	920200300001	2	Microswitch	1		
15	910200500028	1	Screw	2		
16	940200500001	2	Sprocket Bearing	2		
17	201044520040	2	Pulley	1		
18	201044520041	2	Sleeve	1		
19	910400100008	1	Flat Washer	2		
20	910400500008	1	Spring Washer	3		
21	910100300052	1	Bolt	1		
22	201044510019	2	Chain	2		Lift Height3600
22	204444510025	2	Chain	2		Lift Height4000
22	204444510019	2	Chain	2		Lift Height4300
22	201044510017	2	Chain	2		Lift Height4500
23	920200300008	2	Protective Cover	1		

03 Triple Mast Full Free Lift (204246044501) Continue 1



204246044501

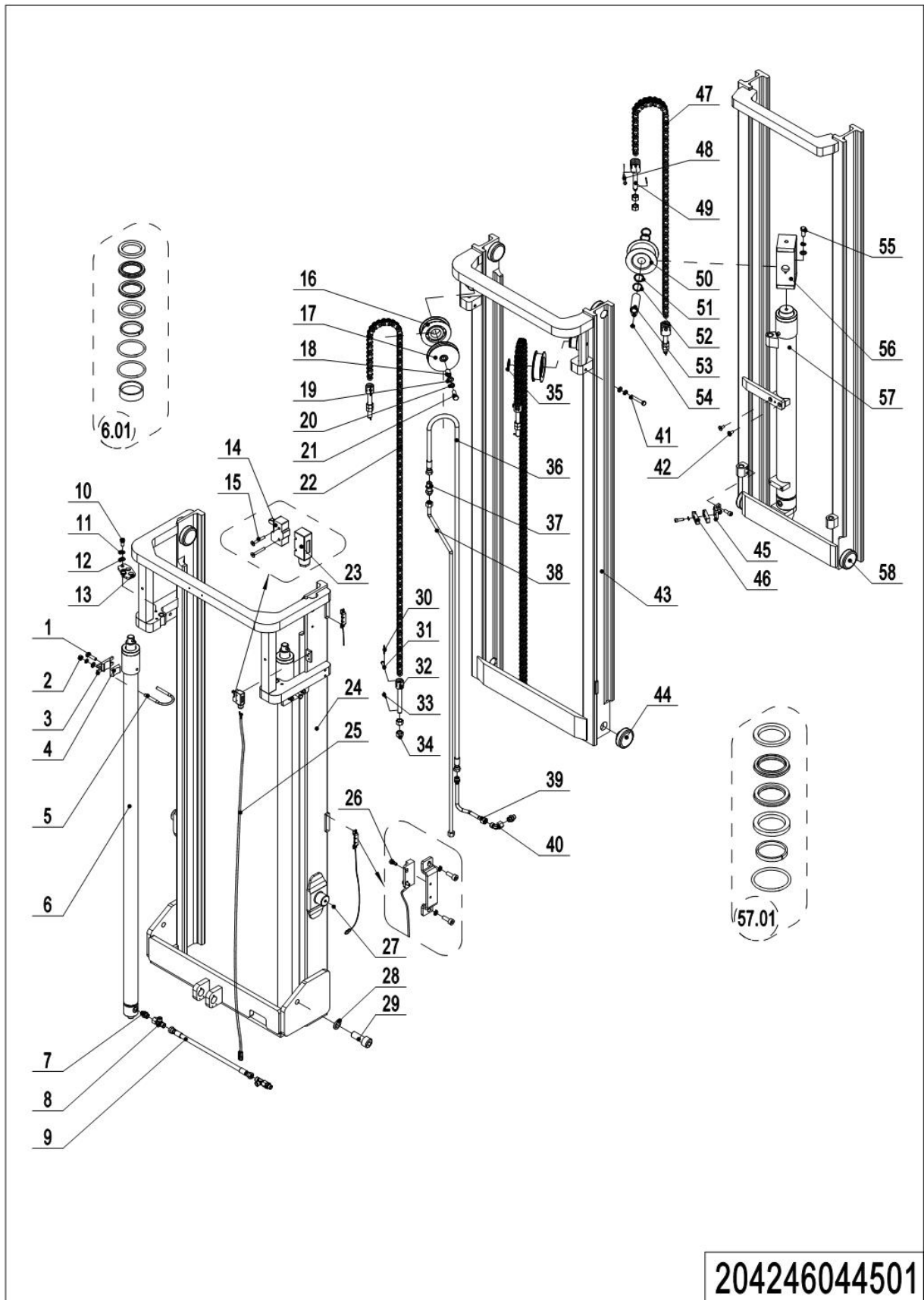
1= Supply as package. 2= Supply with constraints. 3= Phasing-out supply. 4= Supply as assembly. 5= Check other tables.

## 03 Triple Mast Full Free Lift (204246044501) Continue 1

No.	Item Code	Mark	Item Description	Qty.	Substitute	Note
24	204444510002	2	Outer Mast(3600)	1		With tilt
24	204244510002	2	Outer Mast(3600)	1		Without tilt
24	204444510008	2	Outer Mast(4000)	1		With tilt
24	204244510008	2	Outer Mast(4000)	1		Without tilt
24	204444510005	2	Outer Mast(4300)	1		With tilt
24	204244510005	2	Outer Mast(4300)	1		Without tilt
24	204444510000	2	Outer Mast(4500)	1		With tilt
24	204244510000	2	Outer Mast(4500)	1		Without tilt
25	204333010004	2	Wire Harness	1		Ordering with mast height
26	910200500010	1	Screw	4		
27	911200100001	2	Oil Cup	2		
28	910400500012	1	Spring Washer	2		
29	910200200129	1	Screw	2		
30	910600600006	2	Cotter Pin	6		
31	941100800008	2	Pin	4		
32	533243520008	2	Chain Anchor	2		4500/4000/3600
32	252044020121	2	Chain Anchor	2		4300
33	910600600023	2	Cotter Pin	6		
34	910300200008	1	Nut	12		
35	910401300020	1	Circlip	1		
36	201044520083	2	Hose	1		Lift Height3600
36	204444510018	2	Hose	1		Lift Height4000
36	204444510016	2	Hose	1		Lift Height4300
36	201044520082	2	Hose	1		Lift Height4500
37	950400500002	2	Joint	1		
38	204444520029	2	Steel Tube	1		Lift Height3600
38	204444520028	2	Steel Tube	1		Lift Height4000
38	204444520027	2	Steel Tube	1		Lift Height4300
38	204444520026	2	Steel Tube	1		Lift Height4500
39	201044520077	2	Steel Tube	1		



03 Triple Mast Full Free Lift (204246044501) Continue 2



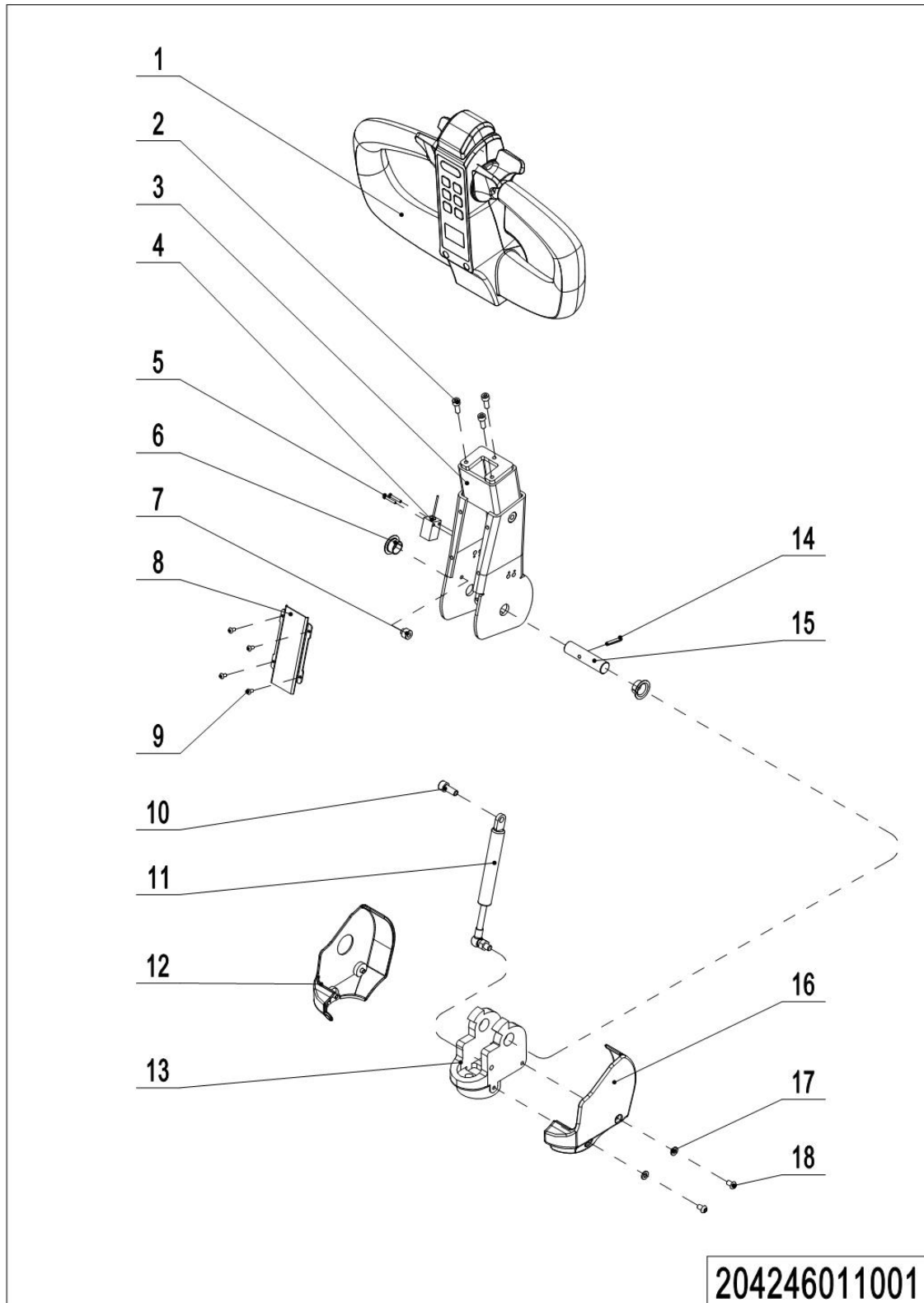
1= Supply as package. 2= Supply with constraints. 3= Phasing-out supply. 4= Supply as assembly. 5= Check other tables.

## 03 Triple Mast Full Free Lift (204246044501) Continue 2

No.	Item Code	Mark	Item Description	Qty.	Substitute	Note
40	950400200004	2	Joint	1		
41	910100100036	1	Bolt	2		
42	910200400025	1	Screw	2		
43	201044510005	2	Middle Mast(3600)	1		
43	204444510009	2	Middle Mast(4000)	1		
43	204444510006	2	Middle Mast(4300)	1		
43	201044510004	2	Middle Mast(4500)	1		
44	940200300007	2	Compound Roller	2		
45	201044520060	2	Mounting Plate	1		
46	201044520023	2	Pipe Clip	2		
47	204444510004	2	Chain	1		Lift Height 4500
47	204444510021	2	Chain	1		Lift Height 4300
47	535044510017	2	Chain	1		Lift Height 4000
47	204444510024	2	Chain	1		Lift Height 3600
48	941100800009	2	Pin	2		
49	535045020024	2	Chain Anchor	2		
50	940200500011	2	Sprocket Bearing	1		
51	940600500009	2	Washer	2		
52	940600500008	2	Washer	2		
53	535045010008	2	Pin	1		
54	910200400016	1	Screw	1		
55	910100300050	1	Bolt	1		
56	204444510003	2	Wheel Carrier	1		
57	201044510011	2	Cylinder	1		Lift Height 3600
57	204444510014	2	Cylinder	1		Lift Height 4000
57	204444510012	2	Cylinder	1		Lift Height 4300
57	201044510010	2	Cylinder	1		Lift Height 4500
57.01	201098510006		Seal Kit	1		
58	940200300004	2	Compound Roller	6		

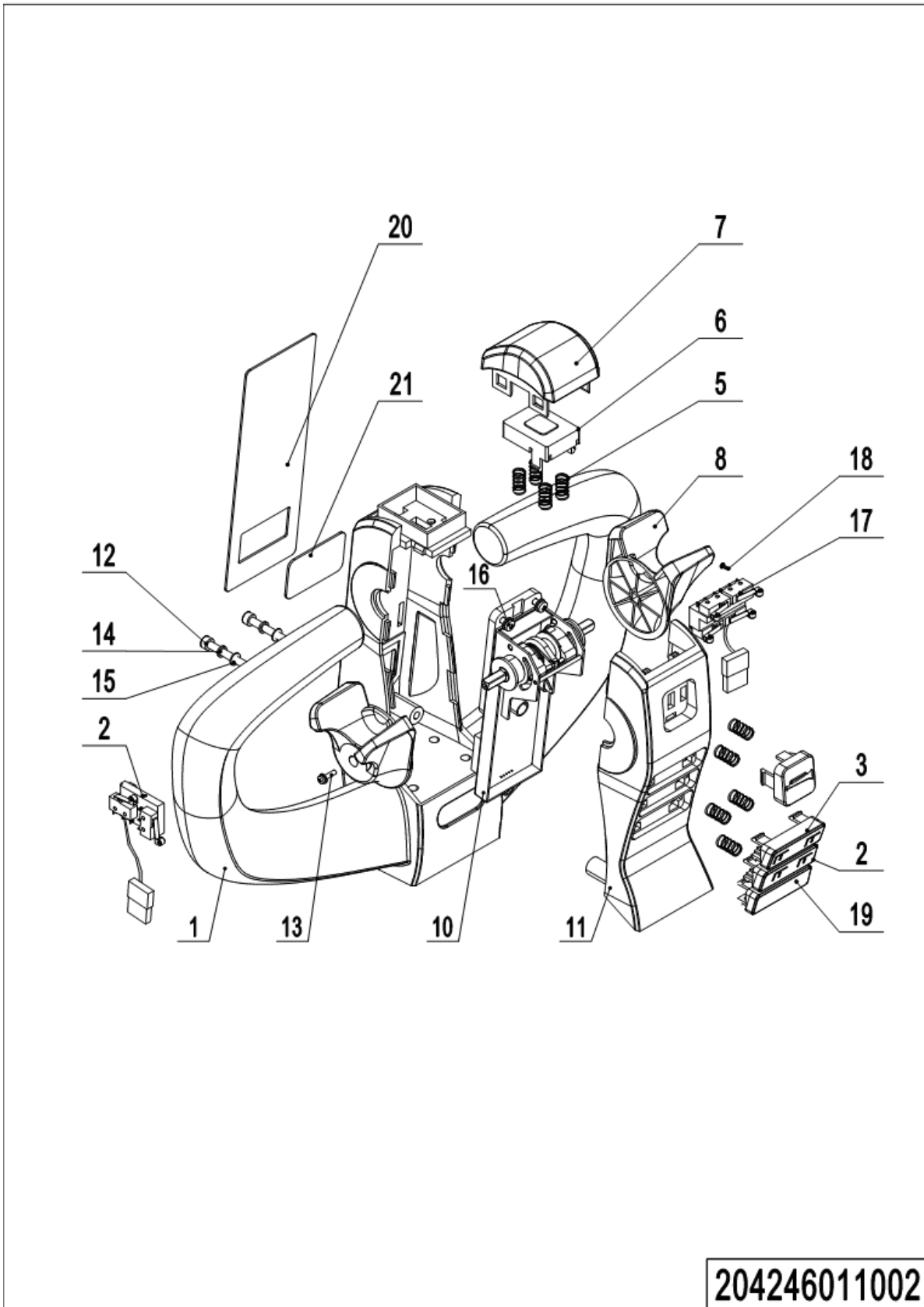
## Chapter 5: Steering System, Braking System, Wheels

### 01 Tiller Unit (204246011001)



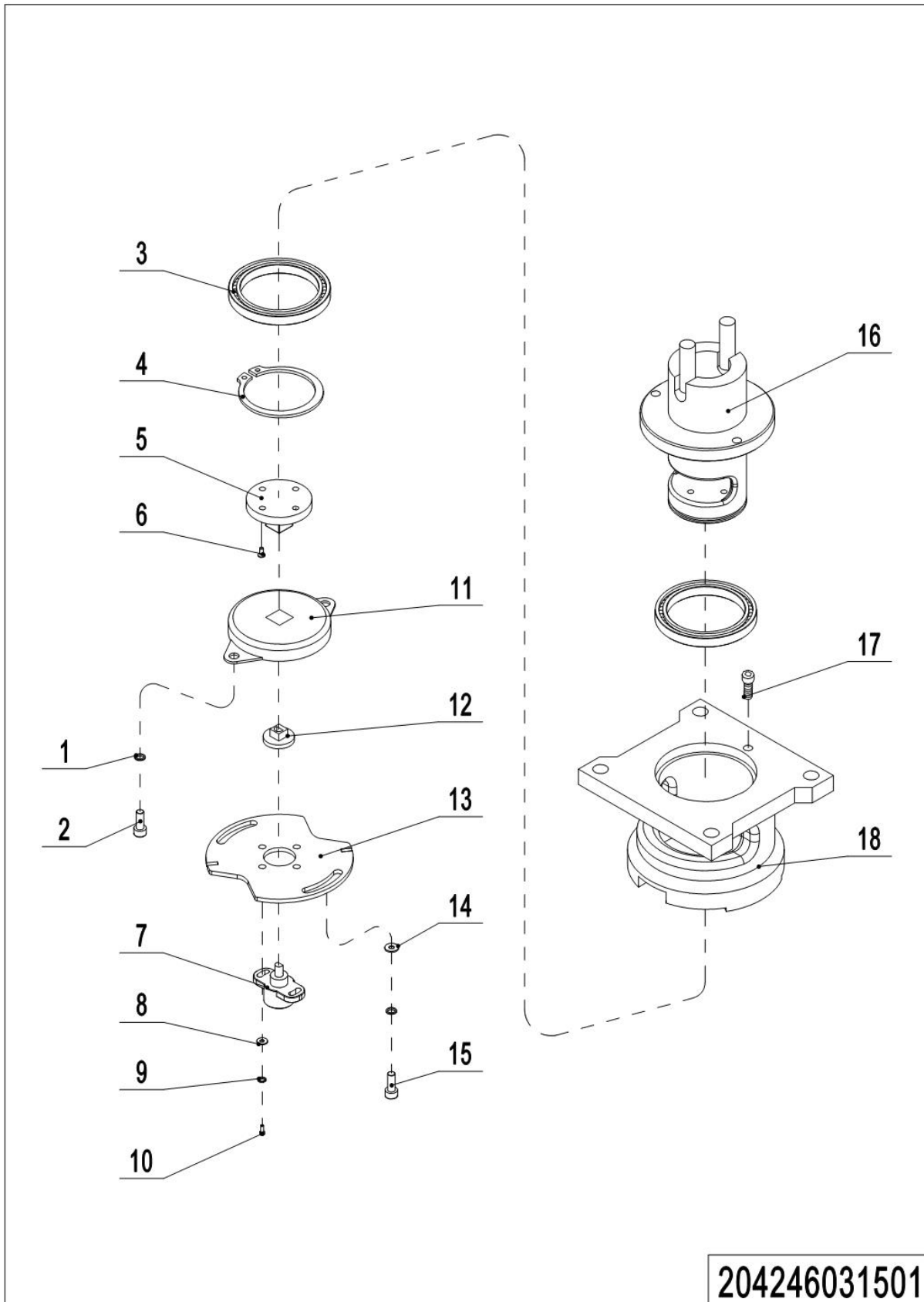
## 01 Tiller Unit (204246011001)

No.	Item Code	Mark	Item Description	Qty.	Substitute	Note
1	922100100038	2	Tiller	1		with tilt
1	922100100029	2	Tiller	1		without tilt
2	910200200035	1	Screw	3		
3	537211010000	2	Tiller	1		
4	505633510000		Proximity Switch	1		
5	910200500015	1	Screw	2		
6	940500200002	2	Bushing	2		
7	505611020007	1	Screw	1		
8	537211020004	2	Close Plate	1		
9	910200300005	1	Screw	4		
10	910200200057	1	Screw	1		
11	940400100041	2	Air Spring	1		
12	535911020005	2	Protective Cover	1		
13	535911020009	2	Bracket	1		
14	910600400013	1	Spring Pin	1		
15	505611020008	2	Axle	1		
16	535911020006	2	Protective Cover	1		
17	910400500005	1	Spring Washer	4		
18	910200300016	1	Screw	4		

**02 Control Handle (204246011002)**

## 02 Control Handle (204246011002)

No.	Item Code	Mark	Item Description	Qty.	Substitute	Note
--	922100100038	2	Tiller	1		with tilt
--	922100100029	2	Tiller	1		without tilt
1	509898520001	2	Plastic Handle	1		
2	509898520002	2	Button	1		
3	509898520003	2	Button	1		
4	509898520004	2	Button	1		
5	537098520005	1	Spring	10		
6	509898520006	2	Cover	1		
7	509898520007	2	Button	1		
8	509898520008	2	Dial Key	2		
9	509898510000	2	Wire Harness	1		
10	509898510001	2	Accelerator	1		without tilt
10	204398510001	2	Accelerator	1		with tilt
11	509898520009	2	Cover	1		
12	910200200027	1	Screw	2		
13	910201900002	1	Screw	2		
14	910400500004	1	Spring Washer	2		
15	910400100004	1	Flat Washer	2		
16	910201900003	1	Screw	4		
17	509898510002	2	Wire Harness	1		without tilt
17	204398510002	2	Wire Harness	1		with tilt
18	910201400001	1	Screw	2		
19	509898520016	2	Button	1		
20	509898520017	2	Button	1		
21	509898510003	2	Screen Protection	1		

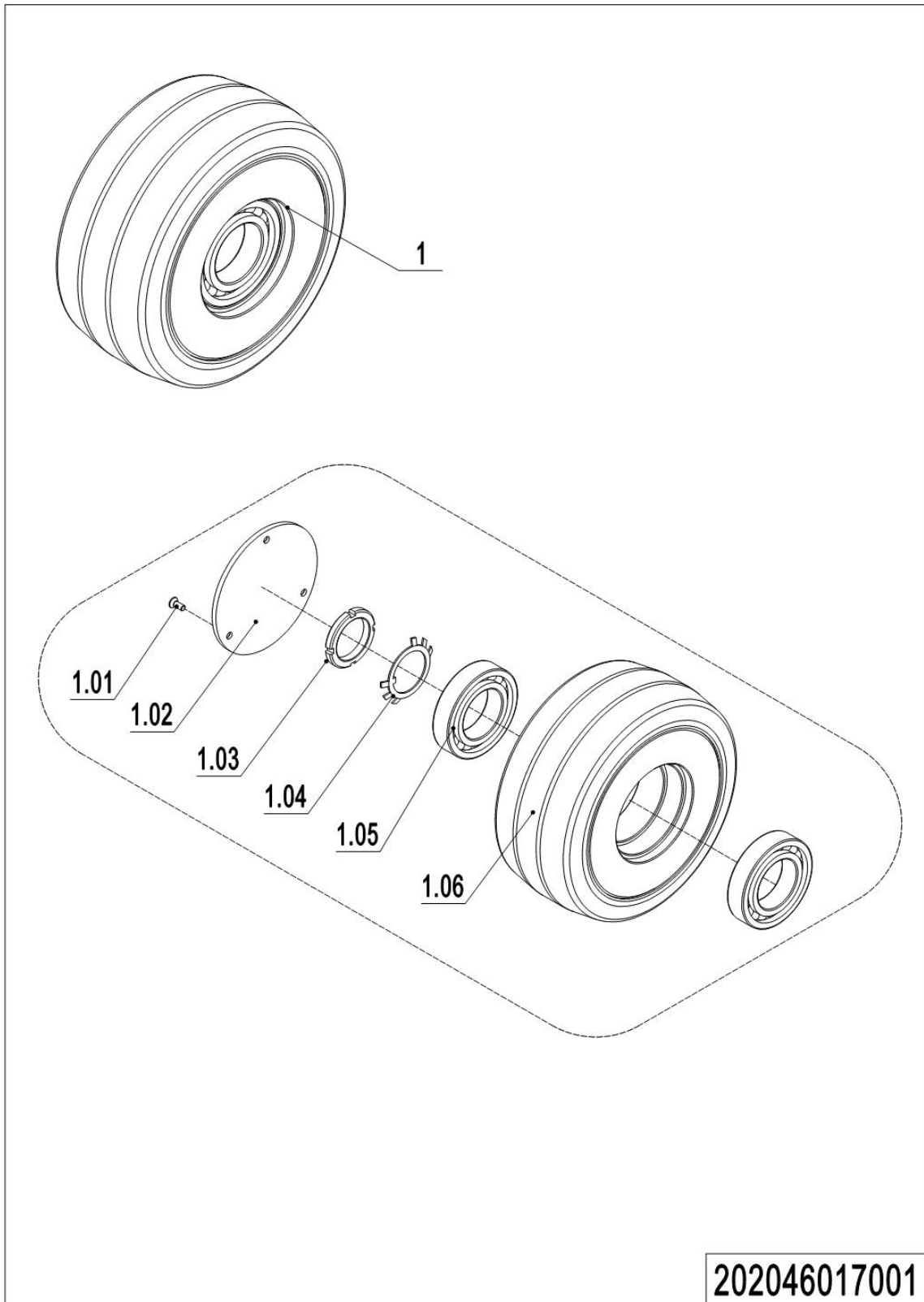
**03 Electronic power steering unit (204246031501)**

1= Supply as package. 2= Supply with constraints. 3= Phasing-out supply. 4= Supply as assembly. 5= Check other tables.

## 03 Electronic power steering unit (204246031501)

No.	Item Code	Mark	Item Description	Qty.	Substitute	Note
1	910400500004	1	Spring Washer	4		
2	910200200022	1	Screw	2		
3	910700200041	1	Bearing	2		
4	910401300024	1	Circlip	1		
5	505631520005	2	Link Block	1		
6	910200500022	1	Screw	4		
7	204333010018	2	Potentiometer	1		
8	910400100003	1	Flat Washer	2		
9	910400500003	1	Spring Washer	2		
10	910200200014	1	Screw	2		
11	940801200001	2	Rotary Damper	1		
12	505631520003	2	Link Block	1		
13	505731520001	2	Fixing Plate	1		
14	910400100004	1	Flat Washer	2		
15	910200200023	1	Screw	2		
16	505631510001	2	Bracket	1		
17	910200200032	1	Screw	3		
18	505631520002	2	Fixing Base	1		



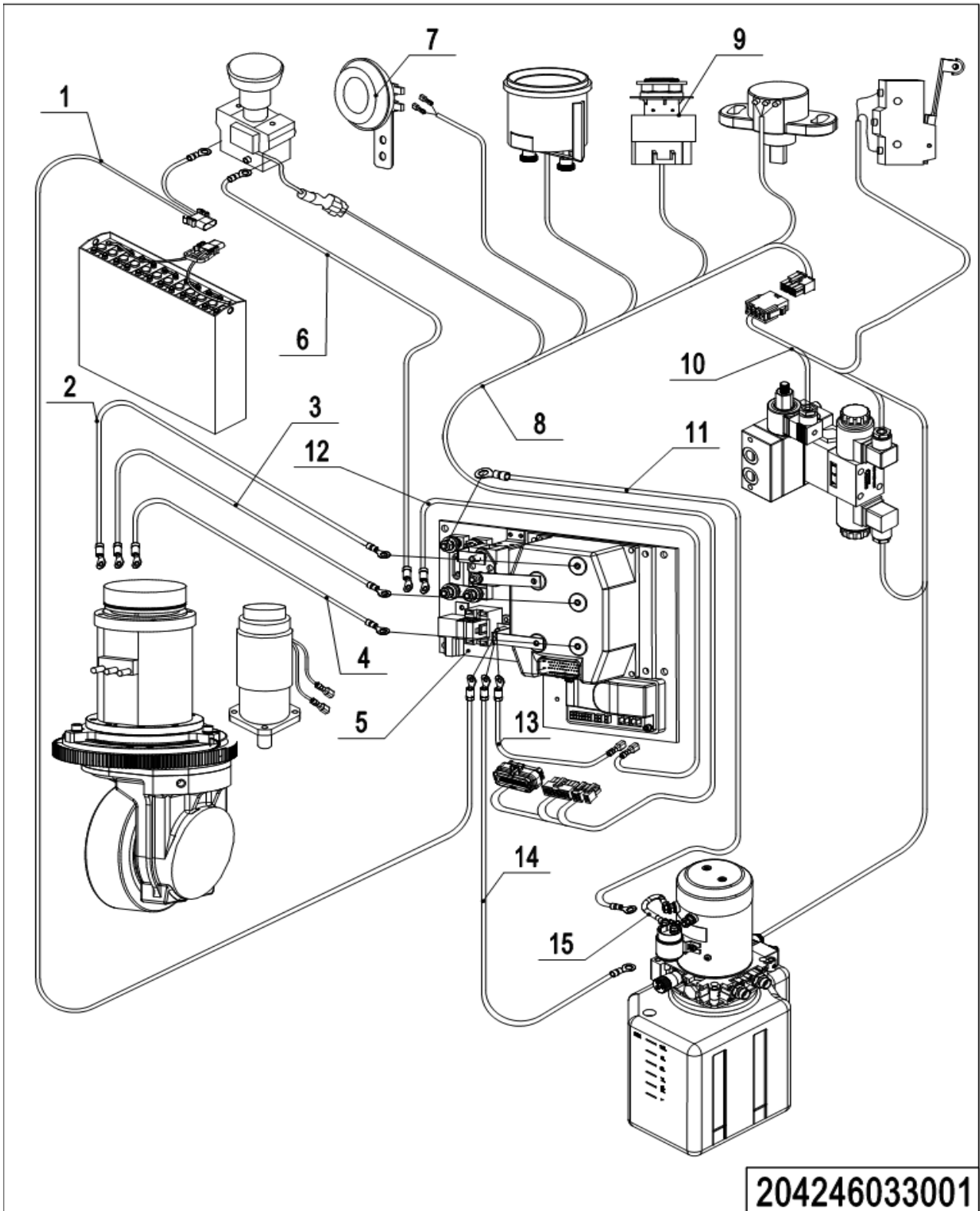
**04 Load Wheel (202046017001)**

## 04 Load Wheel (202046017001)

No.	Item Code	Mark	Item Description	Qty.	Substitute	Note
1	202098510000	2	Wheel Assembly	2		
1.01	910200400016	1	Screw	6		
1.02	201017020000	2	End Cap	2		
1.03	910300700003	1	Nut	2		
1.04	910400900010	2	Lock Washer	2		
1.05	910700200025	1	Bearing	4		
1.06	940300300025		WheelΦ230x100	2		

## Chapter 6: Electrical Parts

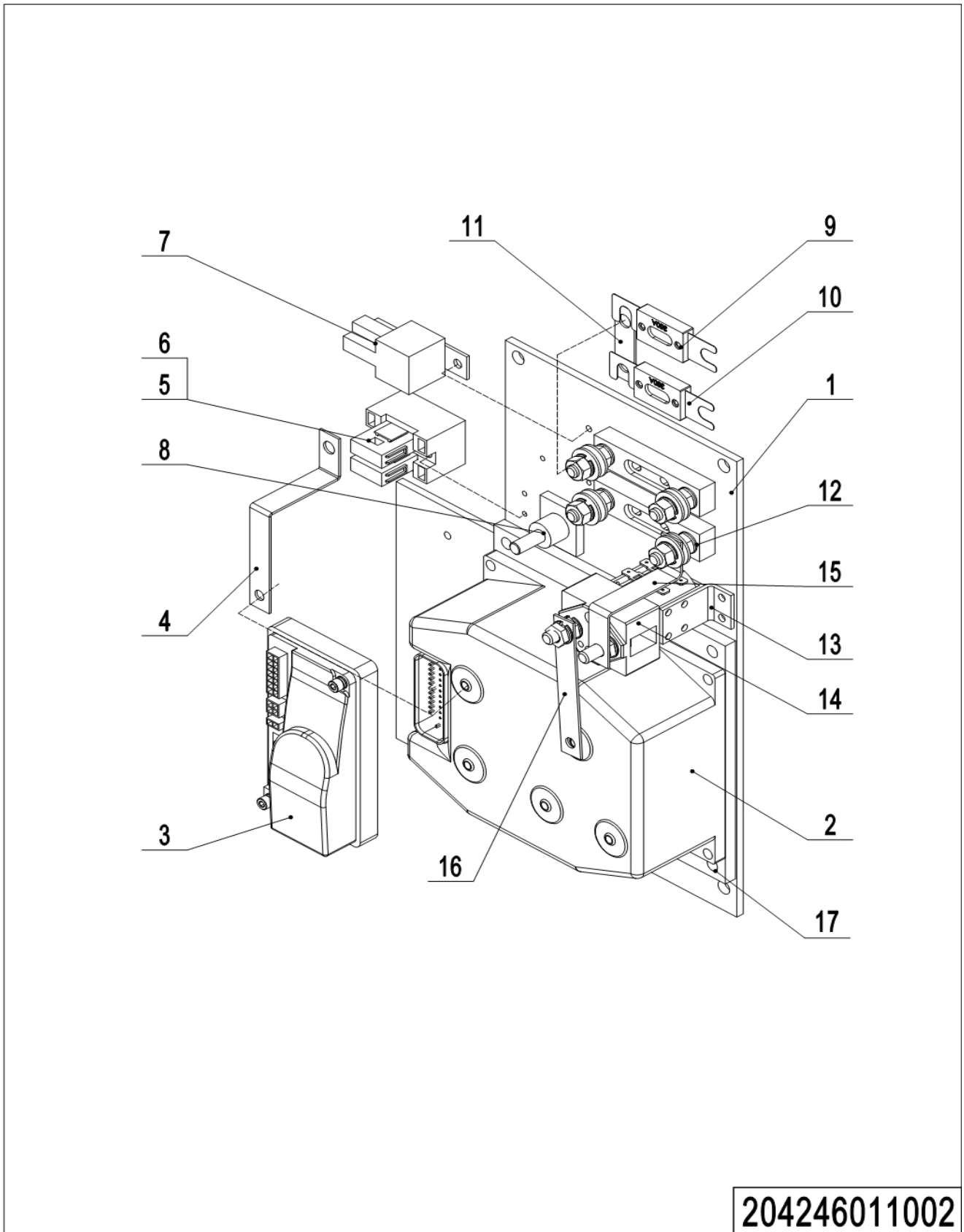
### 01 Wire Harness (204246033001)



1= Supply as package. 2= Supply with constraints. 3= Phasing-out supply. 4= Supply as assembly. 5= Check other tables.

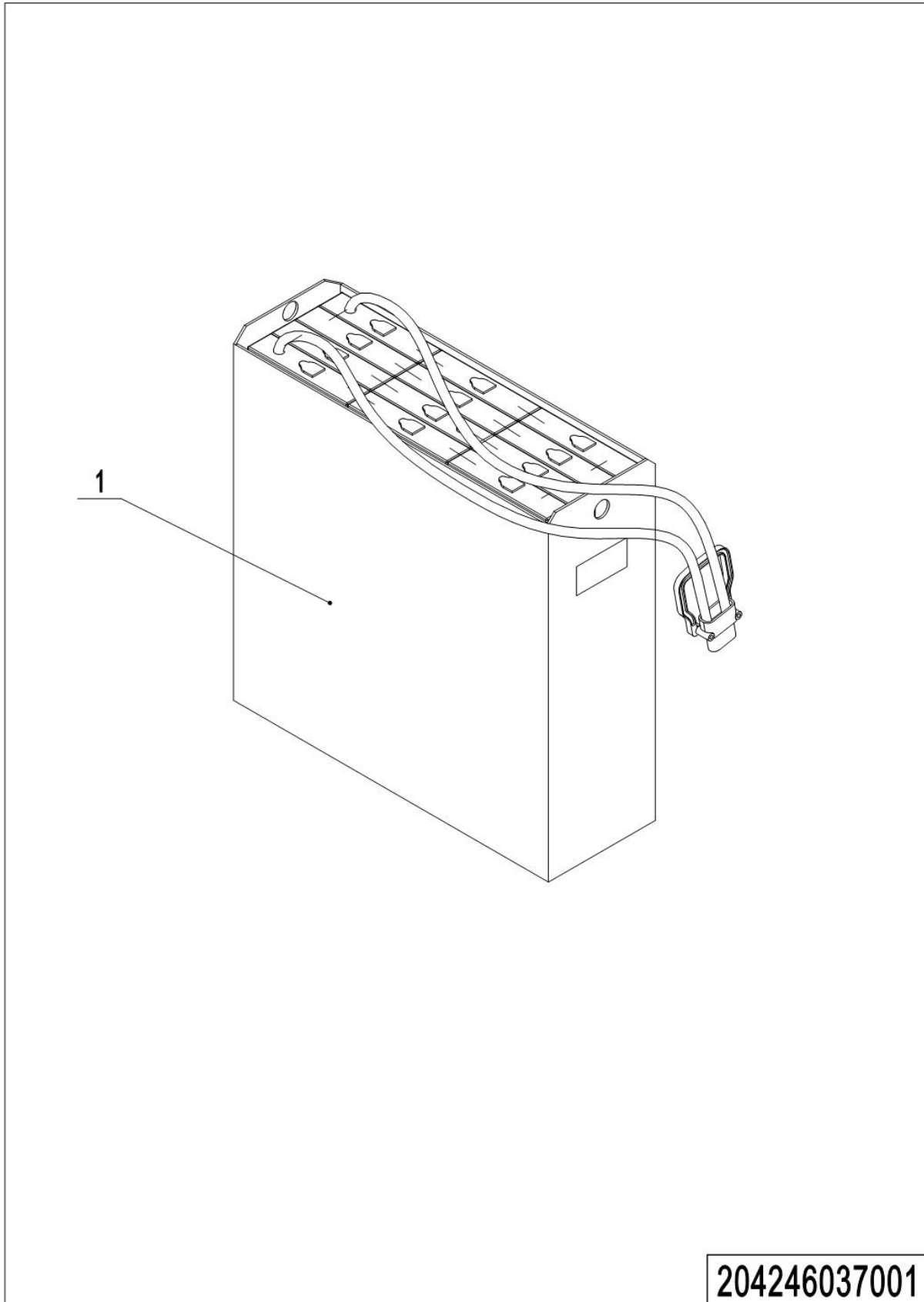
## 01 Wire Harness (204246033001)

No.	Item Code	Mark	Item Description	Qty.	Substitute	Note
1	204333010015	2	Cable	1		Lead Acid
1	204233010002	2	Cable	1		Lithium (PS12CB-C)
2	204333010012	2	Cable	1		
3	204333010013	2	Cable	1		
4	204333010014	2	Cable	1		
5	204333010000	2	Electronic Components	1		
6	204333010005	2	Cable	1		
7	920500100001	2	Horn	1		
8	204333010001	2	Wire Harness	1		Lead Acid
8	204233010001	2	Wire Harness	1		Lithium (PS12CB-C)
9	505634010001		Key Switch	1		Lithium (PS12CB-C)
10	204333010002	2	Wire Harness	1		with tilt
11	204333010008	2	Cable	1		
12	204333010020	2	Cables	1		
13	204333010007	2	Cables	1		
14	204333010006	2	Cable	1		
15	204333010009	2	Cable	1		

**02 Electronic Components (204246033002)**

## 02 Electronic Components (204246033002)

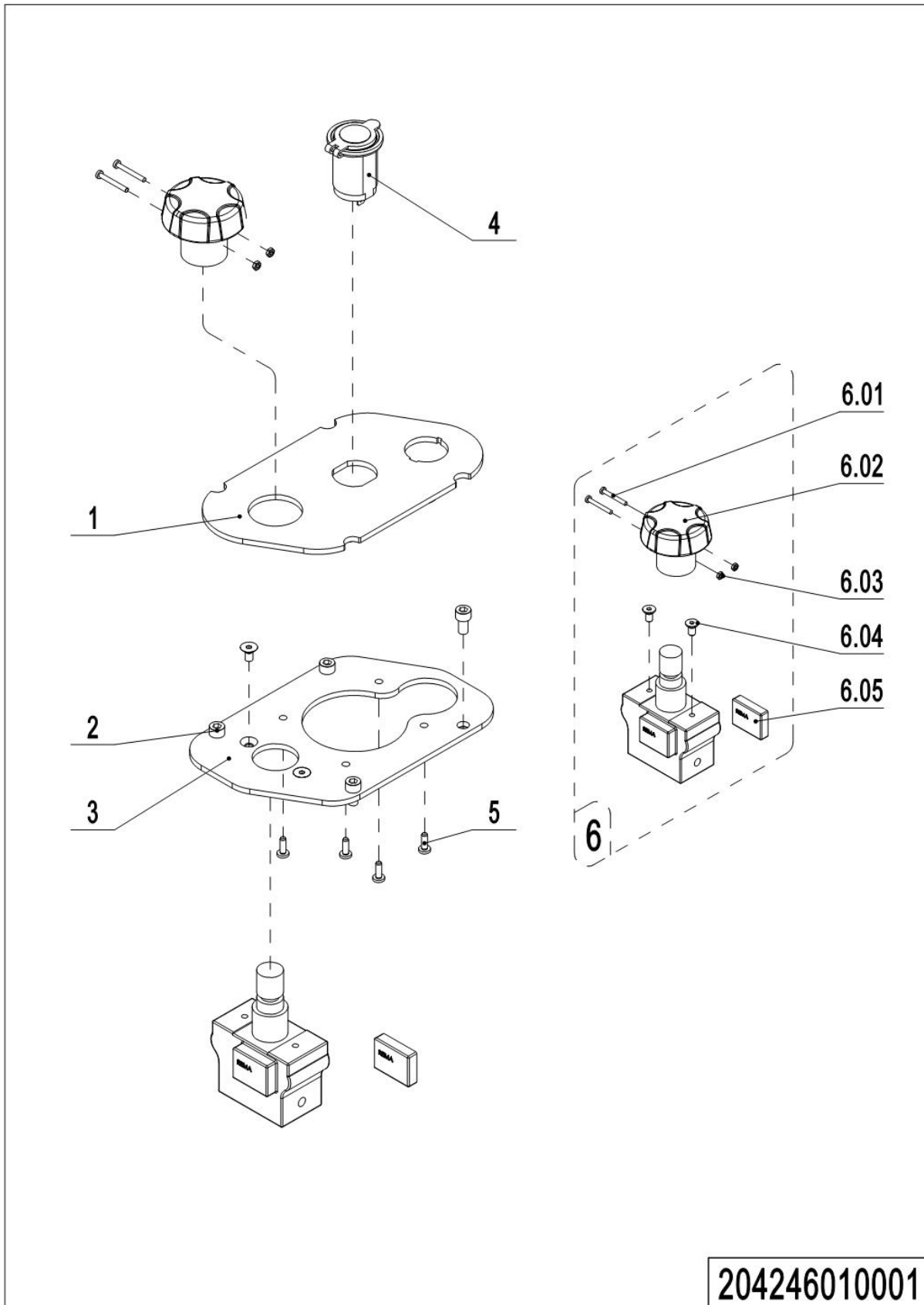
No.	Item Code	Mark	Item Description	Qty.	Substitute	Note
1	204233020000	2	Baseboard	1		
2	921400100006	2	Controller	1		1232E-2121
3	921400100003	2	Controller	1		1220-2201
4	505633020003	2	Copper Busbar	1		
5	920100200002		Fuse	1		
6	920100400005	2	Fuse Holder	1		
7	920800100009	2	Relay	1		
8	920100400001	2	Fuse Holder	1		
9	920100100008		Fuse	1		
10	920100100007		Fuse	1		
11	505633020000	2	Copper Busbar	1		
12	920100400002	2	Fuse Holder	2		
13	921300400001	2	Holder	1		
14	920700100004	2	Contactactor	1		
15	505633020001	2	Copper Busbar	1		
16	505633020002	2	Copper Busbar	1		
17	505633020004	2	Plate	1		1232E-2121

**03 Traction Battery (204246037001)**

## 03 Traction Battery (204246037001)

No.	Item Code	Mark	Item Description	Qty.	Substitute	Note
1	505637010000	2	Battery24V210Ah	1		PS12CB-C
1	505637010001	2	Battery24V210Ah(welded)	1		PS12CB-C
1	532937010001	2	Battery24V270Ah(welded)	1		PS15CB-C
1	532937010002	2	Battery24V270Ah	1		PS15CB-C
1	532637010002	2	Battery24V350Ah(welded)	1		PS15CB-C
1	532637010003	2	Battery24V350Ah	1		PS15CB-C
1	920600100148	2	Li Battery24V150Ah	1		PS12CB-C

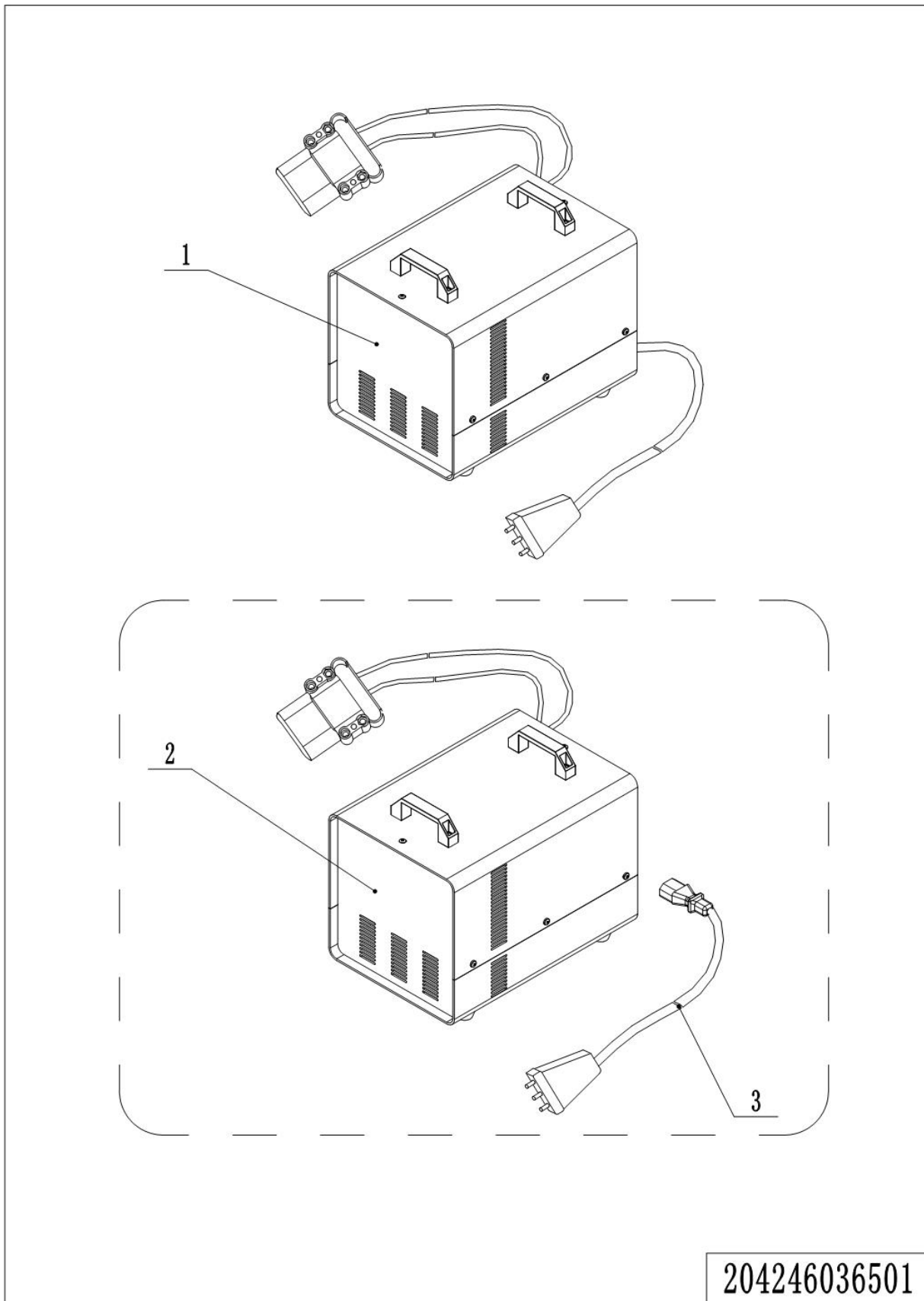


**04 Display Assembly (204246010001)**

## 04 Display Assembly (204246010001)

No.	Item Code	Mark	Item Description	Qty.	Substitute	Note
1	204210010000	2	Panel	1		Lead Acid
1	204210010001	2	Panel	1		Lithium
2	910200200035	1	Screw	4		
3	505610020001	2	Fixing Plate	1		
4	206033010036	2	USB interface	1		
5	910200500021	1	Screw	4		
6	920200100001	2	Emergency Button	1		
6.01	910200500016	1	Screw	2		
6.02	505698520029	2	Button	1		
6.03	910300100002	1	Nut	2		
6.04	910200400011	1	Screw	2		
6.05	505698520030		Proximity Switch	1		

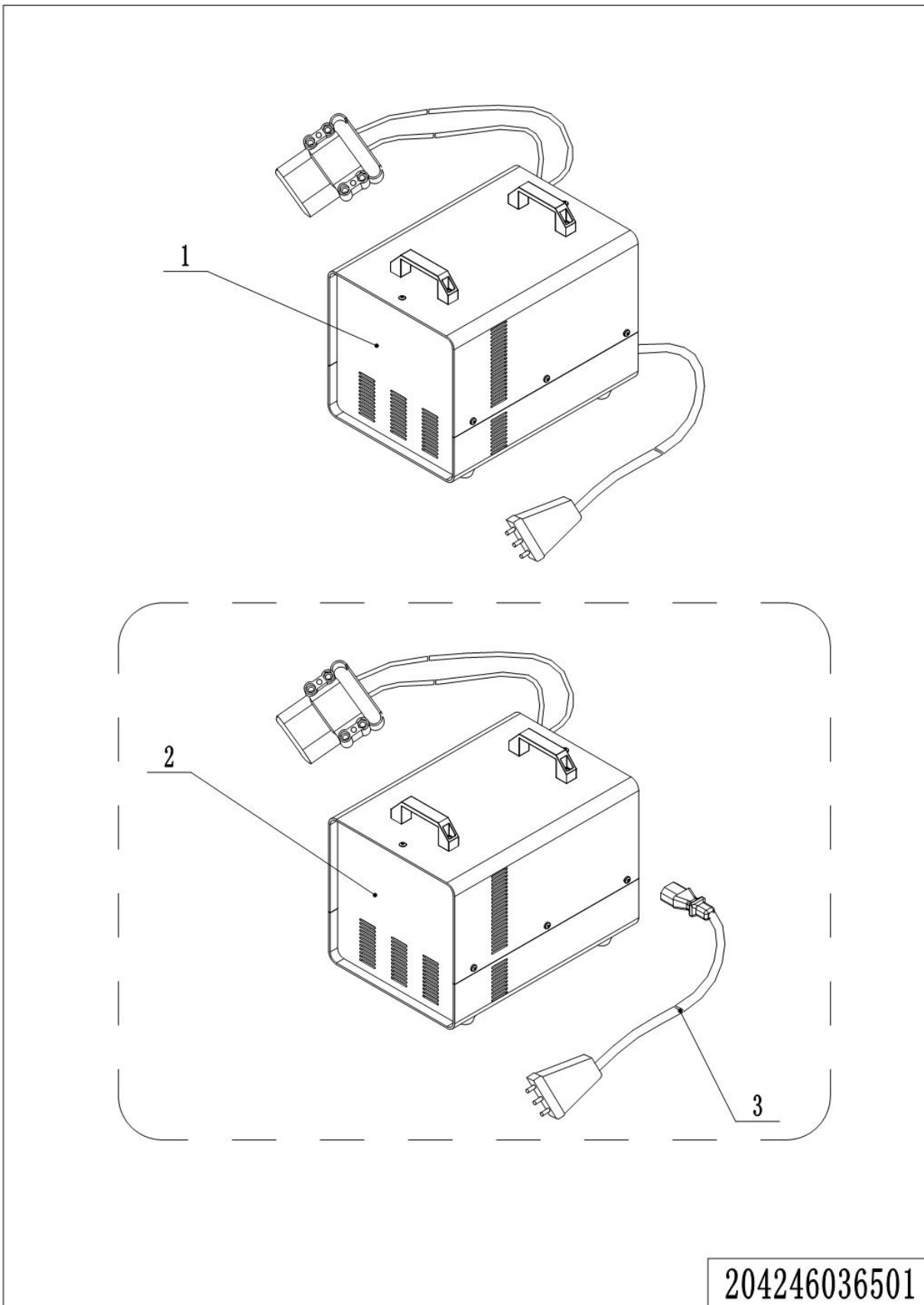
**05 Charger (204246036501)**



1= Supply as package. 2= Supply with constraints. 3= Phasing-out supply. 4= Supply as assembly. 5= Check other tables.

## 05 Charger (204246036501)

No.	Item Code	Mark	Item Description	Qty.	Substitute	Note
1	921000200001	2	Charger24V30A(Aisa-CHN)	1		
1	921000200002	2	Charger24V30A(Aisa-ENG)	1		
1	921000200003	2	Charger24V30A(EU)	1		
1	921000200004	2	Charger24V30A(AUS)	1		
1	921000200005	2	Charger24V30A(ENG)	1		
1	921000200006	2	Charger24V30A(USA)	1		
1	921000200151	2	Charger24V30A(Aisa-CHN)	1		
1	921000200153	2	Charger24V30A(Aisa-ENG)	1		
1	921000200152	2	Charger24V30A(EU)	1		
1	921000200154	2	Charger24V30A(ENG)	1		
1	921000200019	2	Charger24V45A(Aisa-CHN)	1		
1	921000200020	2	Charger24V45A(Aisa-ENG)	1		
1	921000200021	2	Charger24V45A(EU)	1		
1	921000200022	2	Charger24V45A(AUS)	1		
1	921000200023	2	Charger24V45A(ENG)	1		
1	921000200024	2	Charger24V45A(USA)	1		
1	921000200183	2	Charger24V35A(Aisa-CHN)	1		
1	921000200184	2	Charger24V35A(Aisa-ENG)	1		
1	921000200185	2	Charger24V35A(EU)	1		
1	921000200186	2	Charger24V35A(ENG)	1		
1	921000200187	2	Charger24V35A(AUS)	1		
1	921000200188	2	Charger24V35A(USA)	1		
1	921000200522	2	charger24V60A(Asia-CHN))	1		
1	921000200523	2	charger24V60A(Asia-ENG)	1		
1	921000200524	2	charger24V60A(EU)	1		
1	921000200525	2	charger24V60A(ENG)	1		
1	921000200526	2	charger24V60A(AUS)	1		
1	921000200527	2	charger24V60A(ISR)	1		
1	921000200528	2	charger24V60A(ARG)	1		
1	921000200529	2	charger24V60A(RSA)	1		

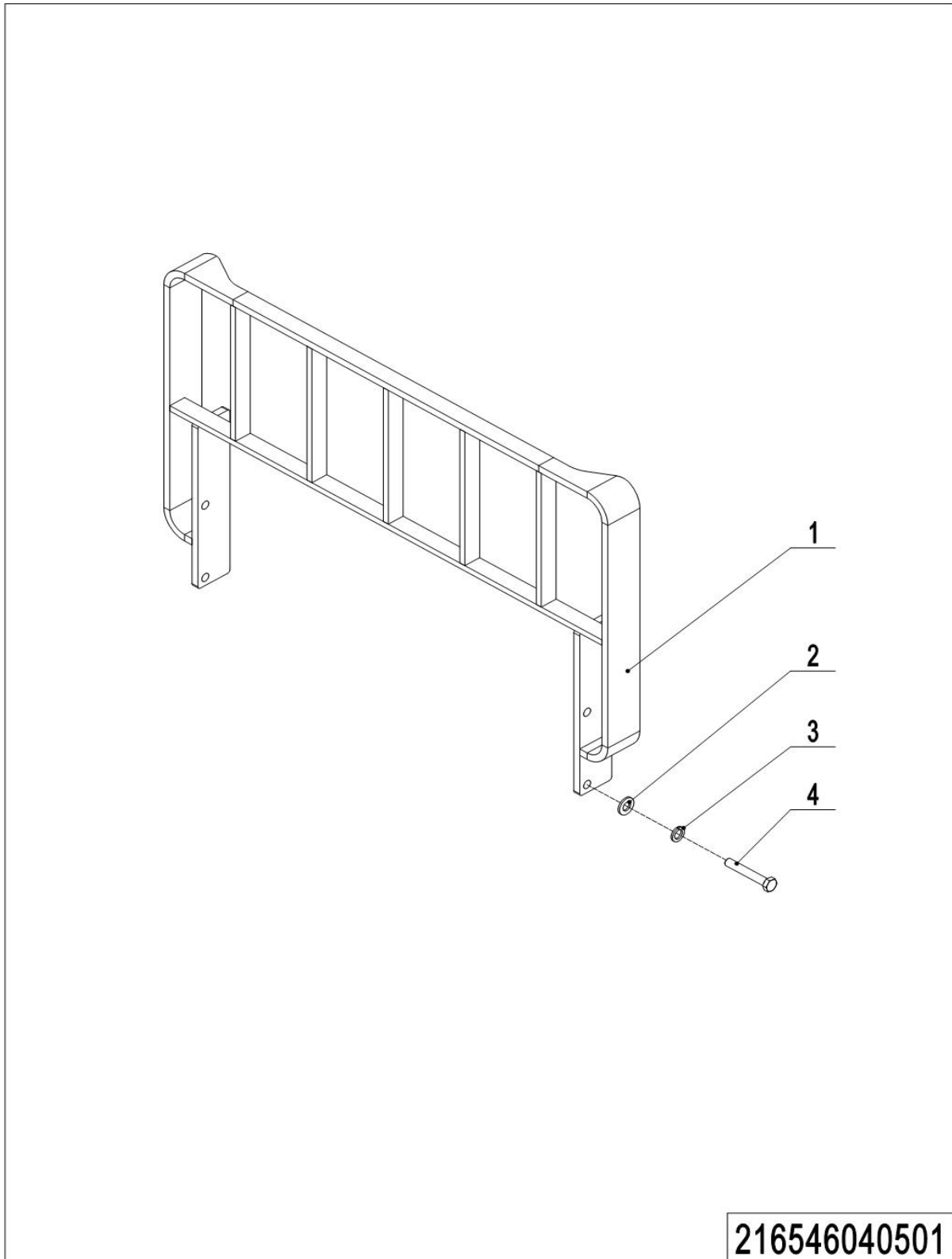
**05 Charger (204246036501) Continue**

## 05 Charger (204246036501) Continue

No.	Item Code	Mark	Item Description	Qty.	Substitute	Note
1	921000200530	2	charger24V60A(US)	1		
2	921000200486	2	Charger 24V30A	1		
3	921500200021	2	Power Cord (Asia)	1		
3	921500200027	2	Power Cord(ENG)	1		
3	921500200054	2	Power Cord(US)	1		
3	921500200022	2	Power Cord(EU)	1		
3	921500200024	2	Power Cord(AUS)	1		
3	921500200025	2	Power Cord(ITA)	1		
3	921500200026	2	Power Cord(SWE)	1		

## Chapter 7: Special Parts

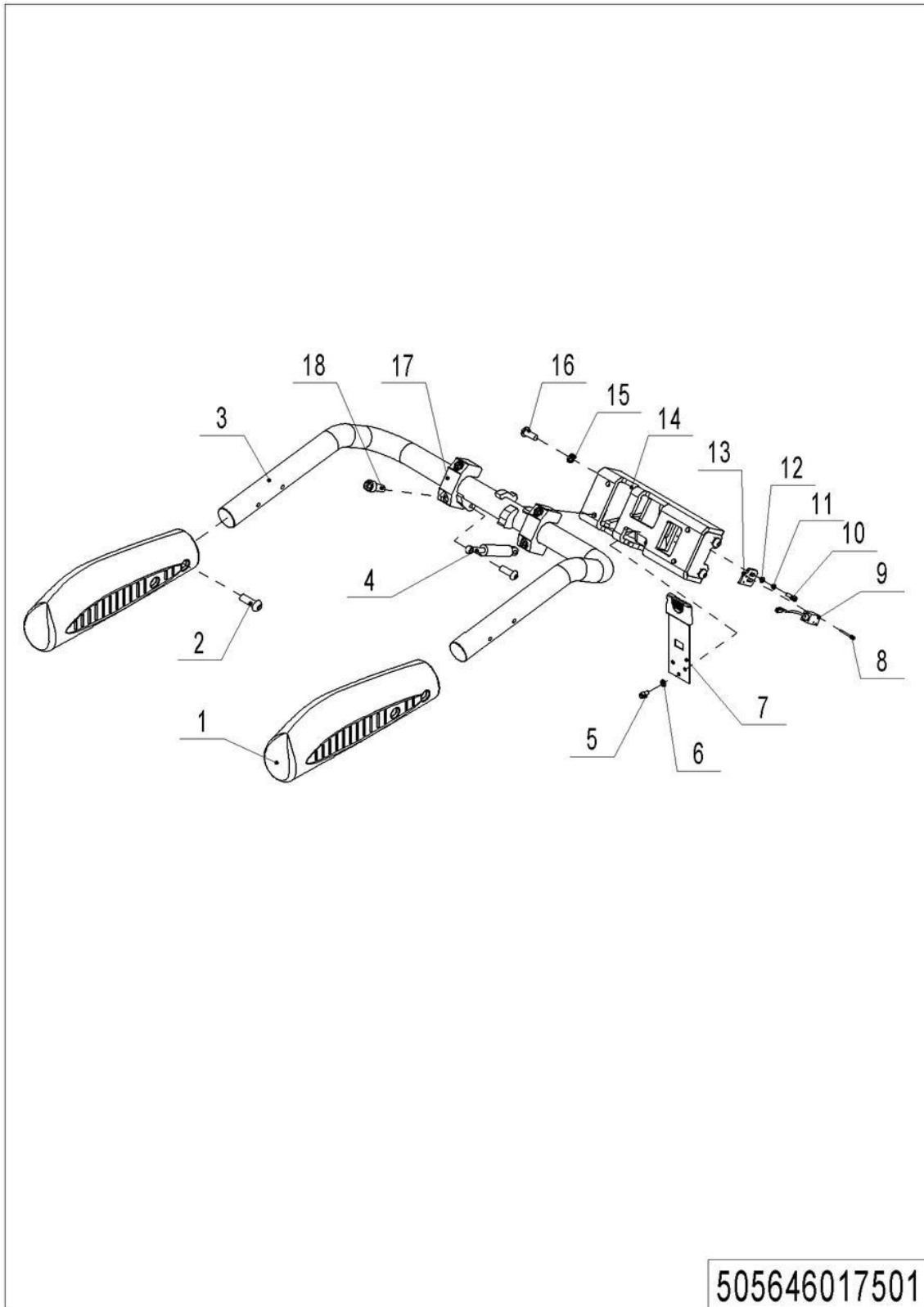
### 01 Load Backrest (216546040501)



## 01 Load Backrest (216546040501)

No.	Item Code	Mark	Item Description	Qty.	Substitute	Note
1	216540510000	2	Load Backrest	1		
2	910400100008	1	Flat Washer	4		
3	910400500008	1	Spring Washer	4		
4	910100300050	1	Bolt	4		

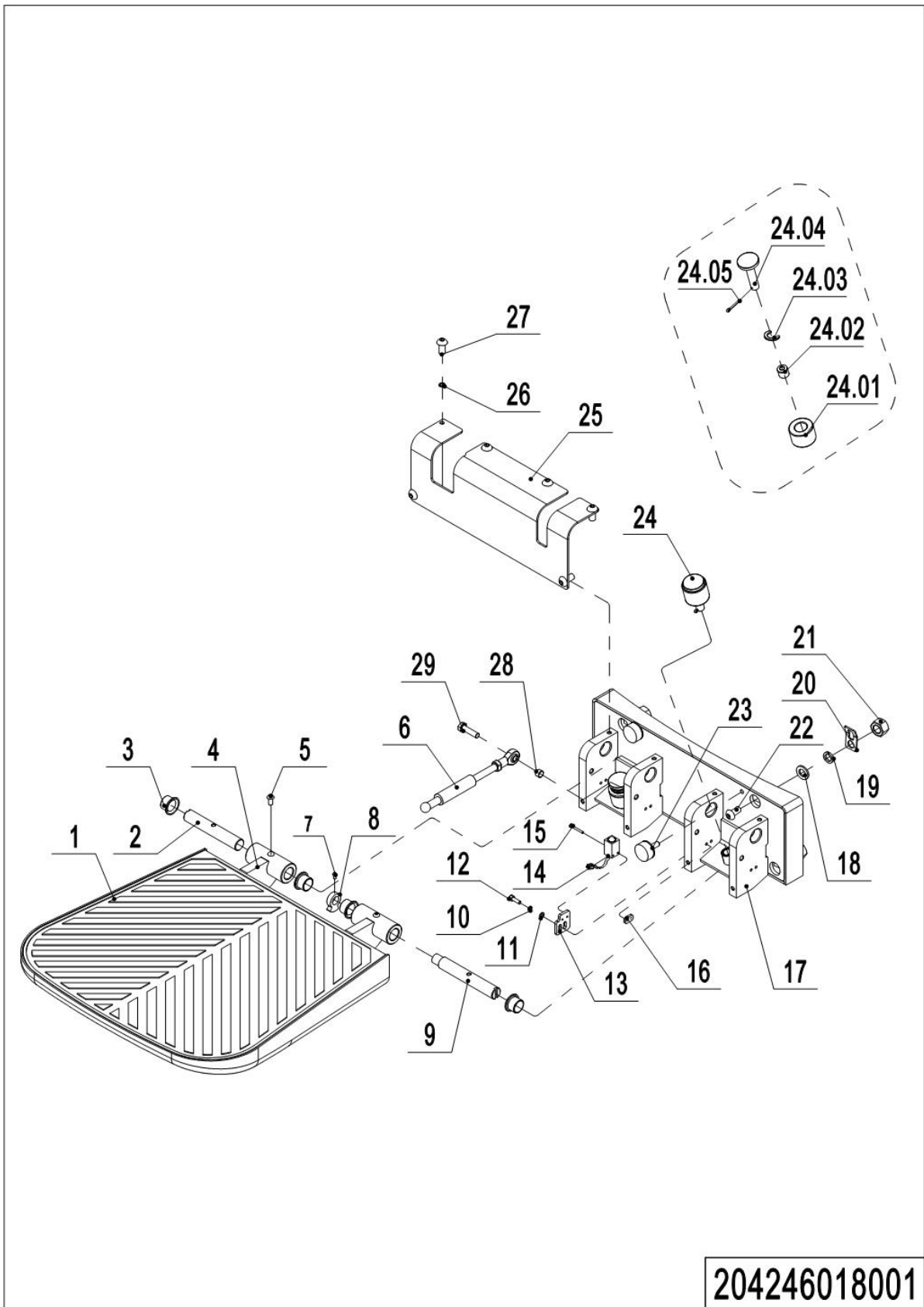


**02 Protective Arm (505646017501)**

## 02 Protective Arm (505646017501)

No.	Item Code	Mark	Item Description	Qty.	Substitute	Note
1	505617510002	2	Guard Arm Sleeve	1		
2	910200300025	1	Screw	5		
3	505617510001	2	Guard Arm	1		
4	940400100006	2	Air Spring	1		
5	910200300017	1	Screw	3		
6	910400500005	1	Spring Washer	3		
7	505617510005	2	Leaf Spring	1		
8	910200500015	1	Screw	2		
9	505633510001		Proximity Switch	1		
10	910400500004	1	Spring Washer	2		
11	910400100004	1	Flat Washer	2		
12	910200200023	1	Screw	2		
13	532617520001	2	Mounting Plate	1		
14	505617510000	2	Base	1		
15	910400500007	1	Spring Washer	4		
16	910100300036	1	Bolt	4		
17	505617520005	2	Fixing Base	2		
18	910200200080	1	Screw	4		
--	505698510012	2	Protective Arm	1		

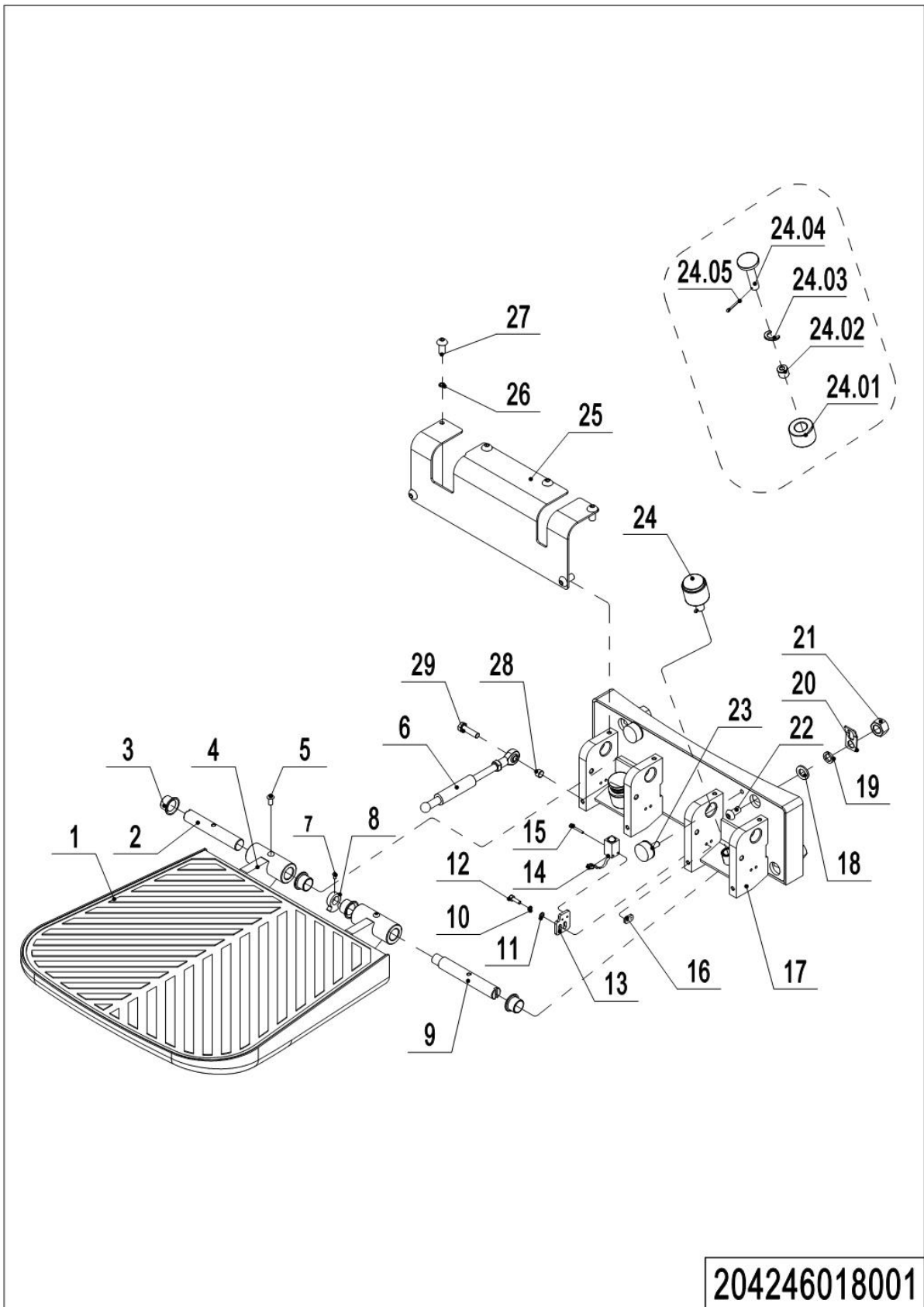
### 03 Platform Assembly (204246018001)



1= Supply as package. 2= Supply with constraints. 3= Phasing-out supply. 4= Supply as assembly. 5= Check other tables.

## 03 Platform Assembly (204246018001)

No.	Item Code	Mark	Item Description	Qty.	Substitute	Note
1	505618020018	2	Rubber Mat	1		
2	505618020020	2	Axle	1		
3	940500200008		Bushing	4		
4	505618010000	2	Platform	1		
5	910200300018	1	Screw	2		
6	940400100039		Air Spring	1		
7	910300400006	2	Nut	1		
8	505618020024	2	Cam	1		
9	505618020017	2	Pin	1		
10	910400500004	1	Spring Washer	2		
11	910400100004	1	Flat Washer	2		
12	910200200023	1	Screw	2		
13	505618020026	2	Mounting Plate	1		
14	910200500015	1	Screw	2		
15	204333010016		Proximity Switch	1		
16	505618020027	2	Mounting Plate	1		
17	505618010001	2	Mounting Base	1		
18	910400100008	1	Flat Washer	4		
19	910400500008	1	Spring Washer	4		
20	505618020025	2	Pipe Clip	1		
21	910300500006	1	Nut	4		
22	910200200100	1	Screw	4		
23	505618020016	2	Crash Pad	2		
24	505698510002	2	Buffer Kits	2		
24.01	505618020029	2	Crash Pad	2		
24.02	505618020030	2	Sleeve	2		
24.03	505618020032	2	Pad	2		
24.04	505618020021	2	Pin	2		

**03 Platform Assembly (204246018001) Continue**

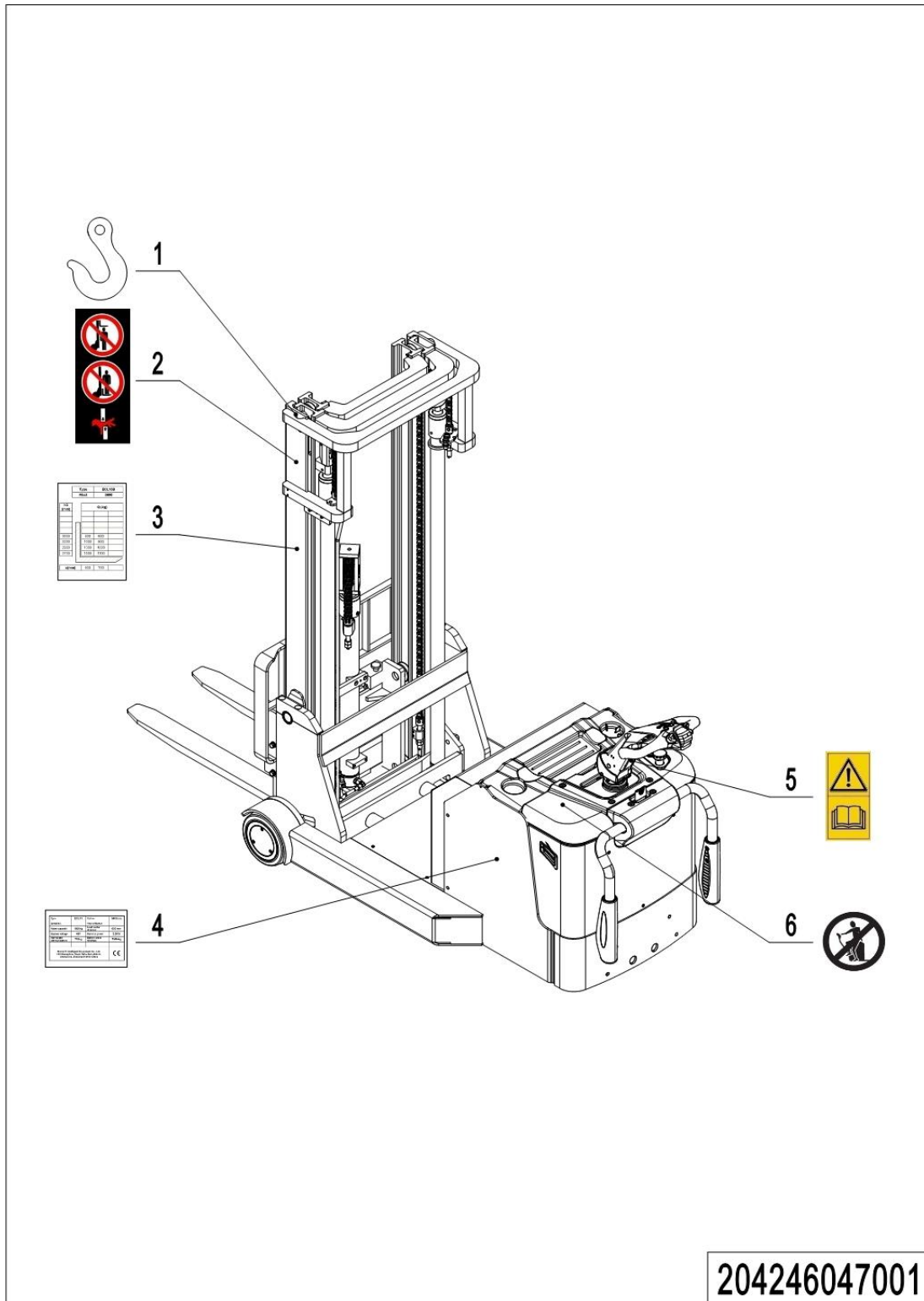
1= Supply as package. 2= Supply with constraints. 3= Phasing-out supply. 4= Supply as assembly. 5= Check other tables.

## 03 Platform Assembly (204246018001) Continue

No.	Item Code	Mark	Item Description	Qty.	Substitute	Note
24.05	910600600026	1	Cotter Pin	2		
25	505618020019	2	Protective Cover	1		
26	910400500005	1	Spring Washer	6		
27	910200300017	1	Screw	6		
28	505618020028	2	Spacer Bush	1		
29	910100300024	1	Bolt	1		
--	505698510013	2	Footboard Kit	1		

## Chapter 8: Others

### 01 Label and Decal (204246047001)



204246047001

## 01 Label and Decal (204246047001)

No.	Item Code	Mark	Item Description	Qty.	Substitute	Note
1	941200300001	2	Label	2		
2	941200100004	2	Label	2		
3	204247520030	2	Load Capacity Diagram	2		
4	204247520000	2	Truck data plate	1		
5	941200300002	2	Label	1		
6	941200100003	2	Label	1		



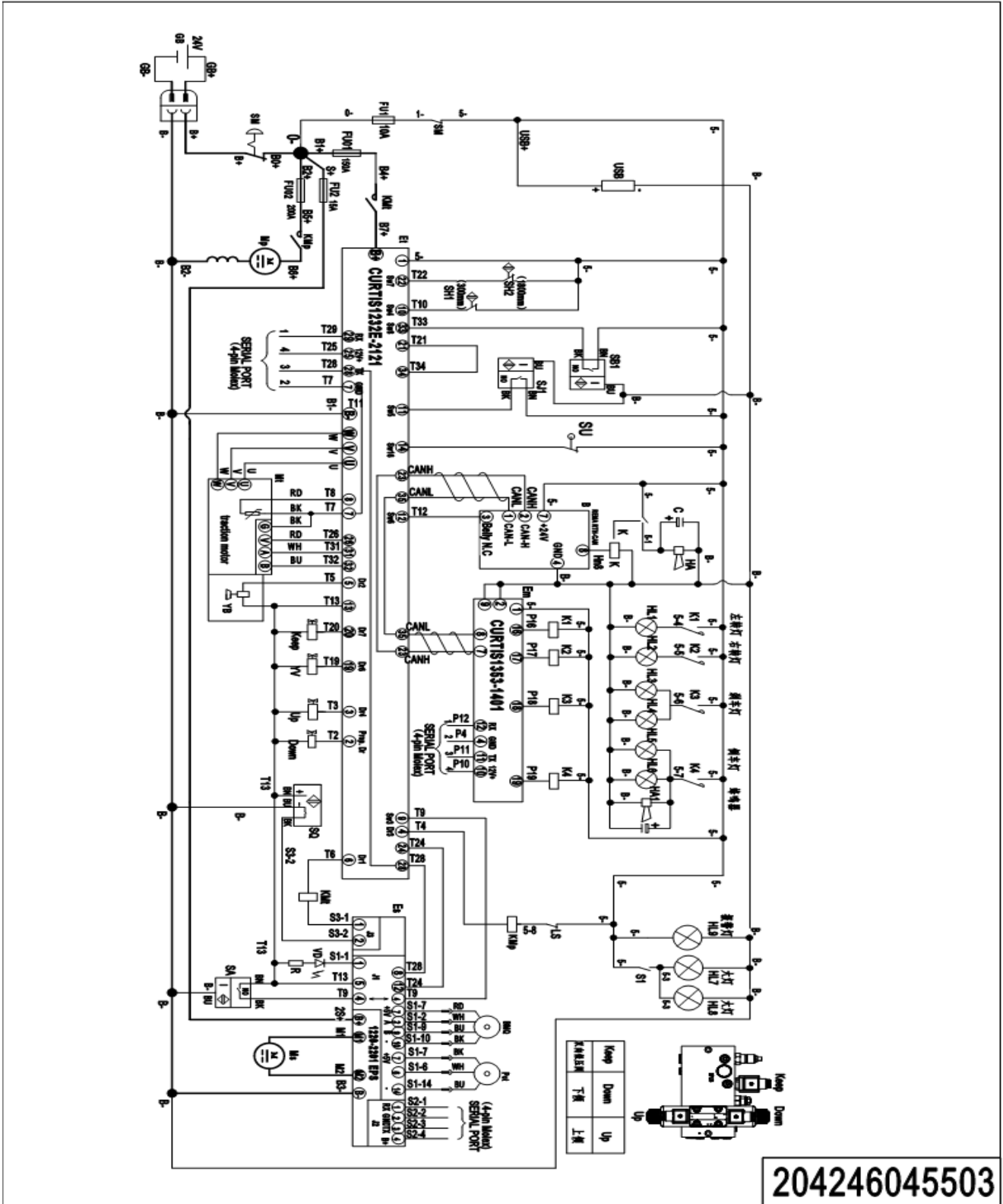


## 02 Label and Decal (US) (204246047002)

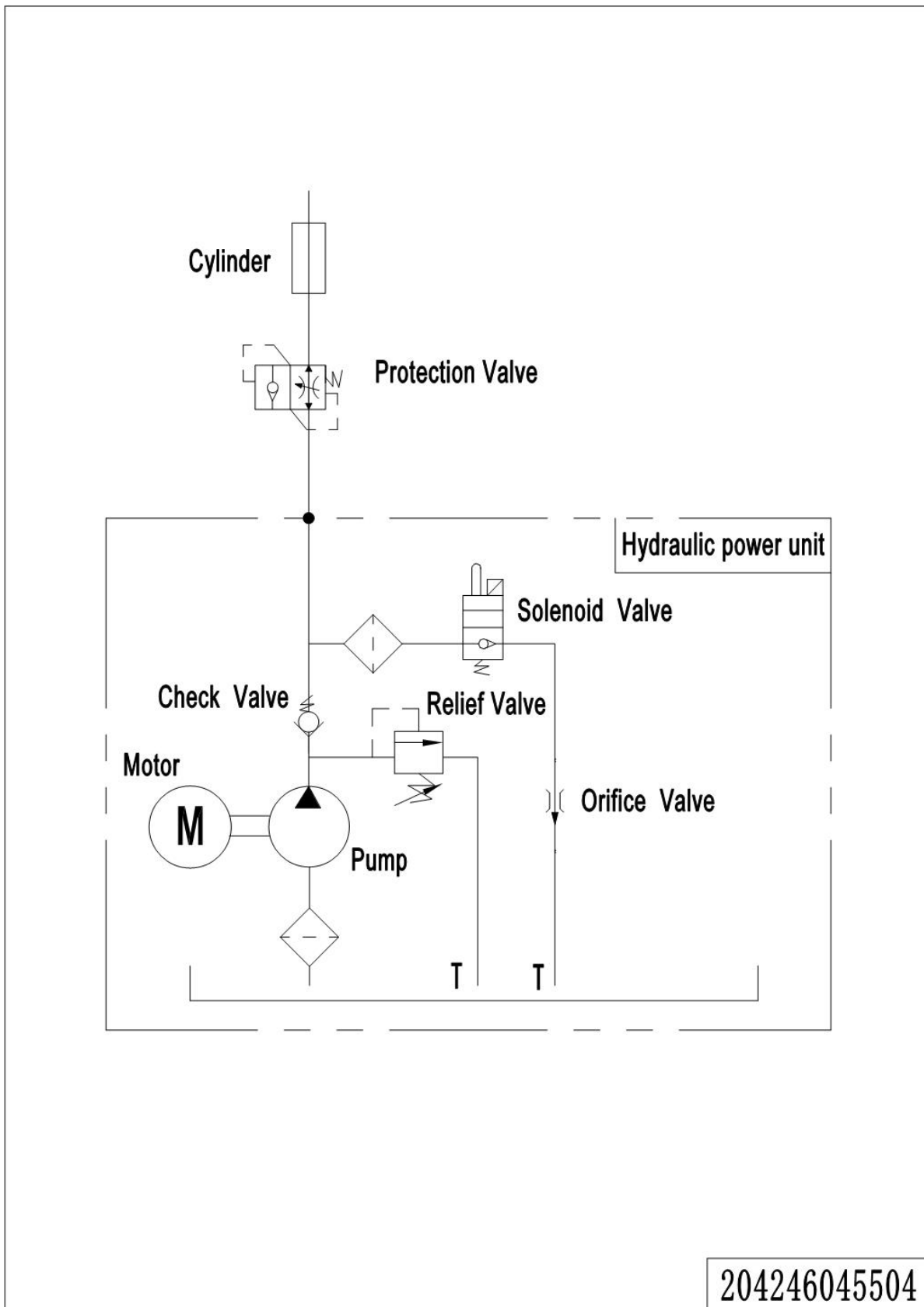
No.	Item Code	Mark	Item Description	Qty.	Substitute	Note
1	941200300001	2	Label	2		
2	941200100016	2	Label	2		
3	204247520041	2	Load Capacity Diagram	2		
4	941200100014	2	Label	1		
5	941200100013	2	Label	1		
6	204247520011	2	Truck data plate	1		
7	941200100011	2	Label	1		
8	941200300002	2	Label	1		
9	941200100010	2	Label	1		
10	941200100009	2	Label	1		

Appendix

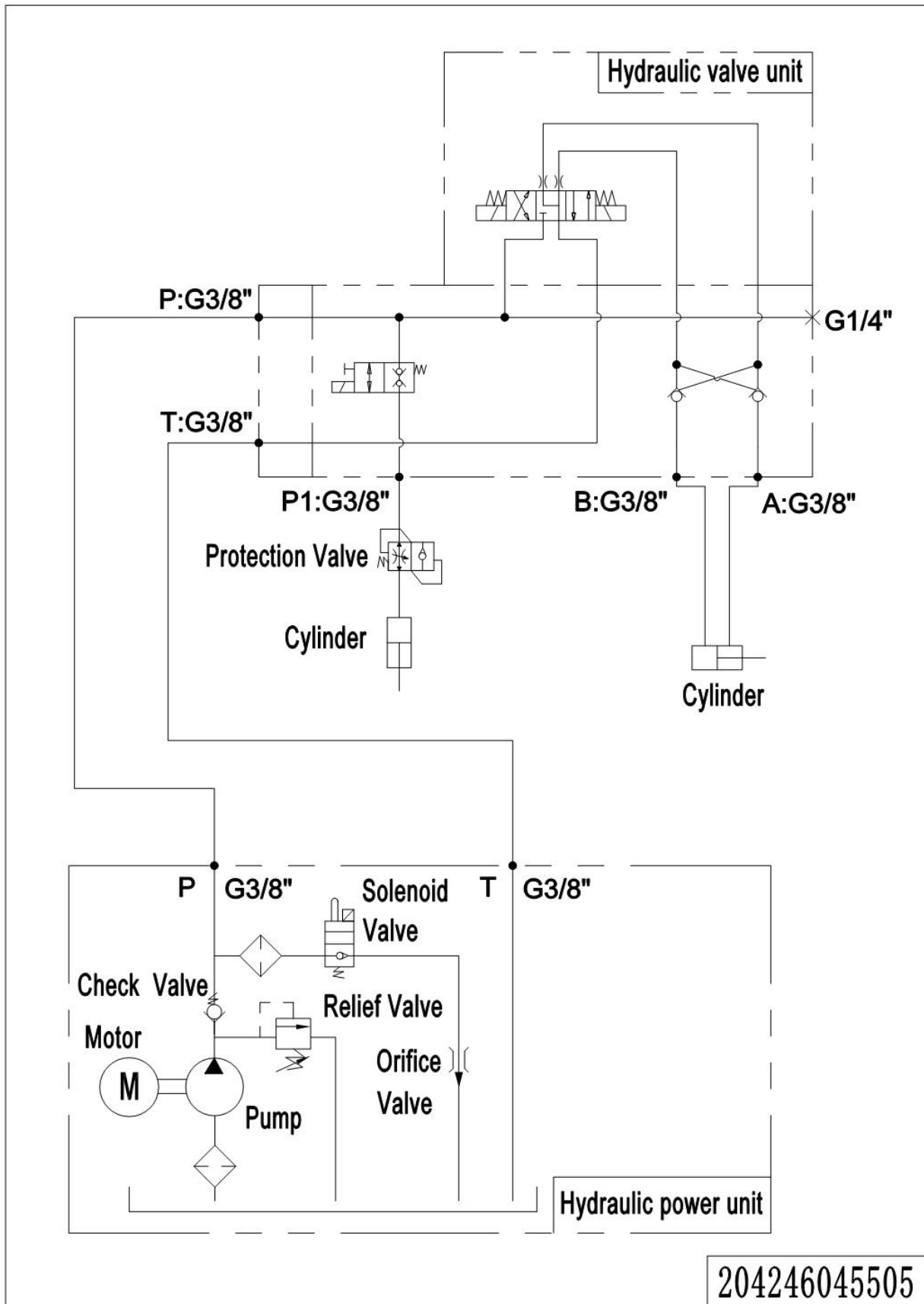
01 Electrical Circuit Diagram



1= Supply as package. 2= Supply with constraints. 3= Phasing-out supply. 4= Supply as assembly. 5= Check other tables.

**02 Hydraulic Circuit Diagram (without tilt)**

**03 Hydraulic Circuit Diagram (with tilt)**



## 04 Consumable Parts List

No.	Item Code	Item Description	Qty.	Chapter/ Section/ Number
1	910700600041	Bearing	1	Chapter 1/02/31
2	910700600040	Bearing	1	Chapter 1/02/26
3	961000300001	WheelΦ230x75	1	Chapter 1/02/29
4	910800100095	O-Ring	2	Chapter 1/02/37
5	910700600042	Bearing	2	Chapter 1/02/42
6	204298510000	密封组件	1	Chapter 2/02/36
7	532698510030	Carbon Brush	1	Chapter 2/03/1.01
8	532698510029	Carbon Brush	1	Chapter 2/04/1.01
9	920200300001	Microswitch	1	Chapter 4/01/31 Chapter 4/02/10 Chapter 4/03/14
10	505633510000	Proximity Switch	1	Chapter 5/01/4
11	505634010001	Key Switch	1	Chapter 6/01/9
12	920100100008	Fuse	1	Chapter 6/02/9
13	920100200002	Fuse	1	Chapter 6/02/5
14	920100100007	Fuse	1	Chapter 6/02/10
15	505698520030	Proximity Switch	1	Chapter 6/04/6.05
16	505633510001	Proximity Switch	1	Chapter 7/02/9
17	204333010016	接近开关	1	Chapter 7/03/15
18	940500200002	Bushing	2	Chapter 5/01/6
19	940400100041	Air Spring	1	Chapter 5/01/11
20	940500200008	Bushing	4	Chapter 7/03/3
21	940400100039	Air Spring	1	Chapter 7/03/6
22	940300300025	WheelΦ230x100	2	Chapter 5/04/1.06
23	910700200025	Bearing	4	Chapter 5/04/1.05
24	940200300007	Compound Roller	4	Chapter 4/02/30 Chapter 4/03/44
25	940200300004	Compound Roller	12	Chapter 3/01/3 Chapter 4/02/12 Chapter 4/03/58
26	201098510005	Seal Kit	1	Chapter 4/02/6.01 Chapter 4/03/6.01
27	201098510006	Seal Kit	1	Chapter 4/01/20.01 Chapter 4/03/57.01
28	910700200041	Bearing	2	Chapter 5/03/3